

Dell PowerVault
MD3600f and MD3620f
Storage Arrays

Getting Started With Your System

Guide de mise en route

Introdução ao uso do sistema

Introducción al sistema



Dell PowerVault
MD3600f and MD3620f
Storage Arrays

Getting Started
With Your System



Notes, Cautions, and Warnings



NOTE: A NOTE indicates important information that helps you make better use of your computer.



CAUTION: A CAUTION indicates potential damage to hardware or loss of data if instructions are not followed.



WARNING: A WARNING indicates a potential for property damage, personal injury, or death.

Information in this publication is subject to change without notice.

© 2011 Dell Inc. All rights reserved.

Reproduction of these materials in any manner whatsoever without the written permission of Dell Inc. is strictly forbidden.

Trademarks used in this text: Dell™, the DELL logo, and PowerVault™ are trademarks of Dell Inc. Microsoft® and Windows Server® are either trademarks or registered trademarks of Microsoft Corporation in the United States and/or other countries. Red Hat® and Red Hat Enterprise Linux® are registered trademarks of Red Hat, Inc. in the United States and other countries. SUSE® is a registered trademark of Novell, Inc. in the United States and other countries. VMware® is a registered trademark of VMware, Inc. in the United States and/or other jurisdictions.

Other trademarks and trade names may be used in this publication to refer to either the entities claiming the marks and names or their products. Dell Inc. disclaims any proprietary interest in trademarks and trade names other than its own.

Regulatory Model Series E03J and E04J

2011 - 08 P/N 1K67M Rev. A02

Before You Begin



NOTE: Throughout the document, Dell PowerVault MD3600f series storage array refers to both Dell PowerVault MD3600f and Dell PowerVault MD3620f. Dell PowerVault MD1200 series expansion enclosure refers to both Dell PowerVault MD1200 and Dell PowerVault MD1220.

Before setting up your PowerVault MD3600f series storage array, you must consider certain best practices to ensure that your storage array operates at maximum efficiency and offers full redundancy (if required).

- To enable redundancy, two Fibre Channel (FC) host bus adapters (HBA) must be connected from the host system to the storage array. If redundancy is not required, only one FC HBA is connected to the storage array. See the *Support Matrix* for a list of supported HBAs and *Configuring Fibre Channel With the Dell MD3600f Series Storage Array* for information about installing HBA drivers. You can download both documents from support.dell.com/manuals.
- Before connecting any cables between the host server and storage array, physically label each port and connector.
- Always follow proper power-up and power-down procedures when cycling power across the network. You must also ensure that critical network components are on separate power circuits.

Working With SFP Modules and Fiber Optic Cables



NOTE: SFP+ modules are supported for 8 GB Fibre Channel connections. This document refers to SFP generically.

Each storage controller can have up to four FC host ports. A small-form-factor pluggable (SFP) module is used to connect a host port to a host or switch. The SFP module is inserted into the port, and then a fiber optic cable is inserted into the SFP module. The other end of the fiber optic cable is connected to an optical interface connector either in a FC HBA on a host or a switch. SFP modules are laser products.



WARNING: Data processing environments can contain equipment transmitting on system links with laser modules that operate at greater than Class 1 power levels. Never look into the end of an optical fiber cable or open receptacle.

Guidelines for Using Fiber Optic Cables

- Do not route the cable along a folding cable management arm.
- For devices on slide rails, leave enough slack in the cables so they do not bend to a diameter of less than 76 mm (3"), or a radius less than 38 mm (1.5"), when extended or become pinched when retracted.
- Route the cable away from places where it can be damaged by other devices in the rack cabinet.
- Do not use plastic cable ties in place of the provided cable straps.
- Do not over-tighten the cable straps or bend the cables to a diameter of less than 76 mm (3") or a radius less than 38 mm (1.5").
- Do not place excess weight on the cable at the connection point. Ensure that the cable is well supported.

Guidelines for Using SFP Modules

The storage array requires SFP modules. SFP modules convert electrical signals to optical signals that are required for FC transmission to and from RAID controller modules. After installing the SFP modules, fiber optic cables are used to connect the storage array to other FC devices. Before installing SFP modules and fiber optic cables, read the following information:

- Use only Dell supported SFPs with the PowerVault MD3600f series storage arrays. Other generic SFPs are not supported and may not work with the storage arrays.
- The SFP module housing has an integral guide key that is designed to prevent you from inserting the SFP module incorrectly.
- Use minimal pressure when inserting an SFP module into a FC port. Forcing the SFP module into a port may damage the SFP module or the port.
- You can install or remove the SFP module while the port is powered on.
- You must install the SFP module into a port before you connect the fiber optic cable.
- You must remove the fiber optic cable from the SFP module before you remove the SFP module from the port.



CAUTION: When handling static-sensitive devices, take precautions to avoid damaging the product from static electricity.

Other Documentation and Media You May Need



WARNING: See the safety and regulatory information that shipped with your system. Warranty information may be included within this document or as a separate document.



NOTE: All PowerVault MD3600f series documents are available at support.dell.com/manuals.

- The rack documentation included with your rack solution describes how to install your system into a rack.
- The *Owner's Manual* provides information about system features and describes how to troubleshoot the system and install or replace system components.
- The *Deployment Guide* provides information about installing and configuring the software and hardware.
- The *CLI Guide* provides information about using the command line interface (CLI) to configure and manage your storage array.
- The *SMI-S Programmer's Guide* provides information about using the SMI-S provider and SMI-S programming.
- Any media that ships with your system that provides documentation and tools for configuring and managing your system, including those pertaining to the operating system, system management software, system updates, and system components that you purchased with your system.



NOTE: Always check for updates on support.dell.com/manuals and read the updates first because they often supersede information in other documents.

Supported Operating Systems

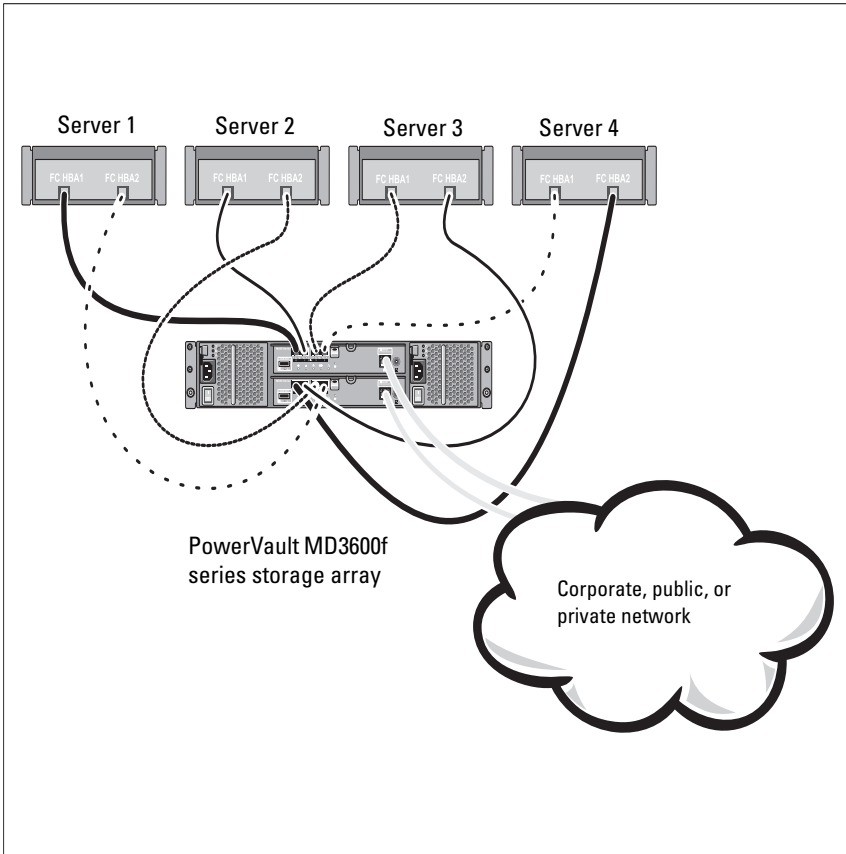
- Microsoft Windows Server
- Red Hat Enterprise Linux
- SUSE Linux Enterprise Server
- VMware



NOTE: For the latest information on all the supported operating system versions, see the *Support Matrix* at support.dell.com/manuals.

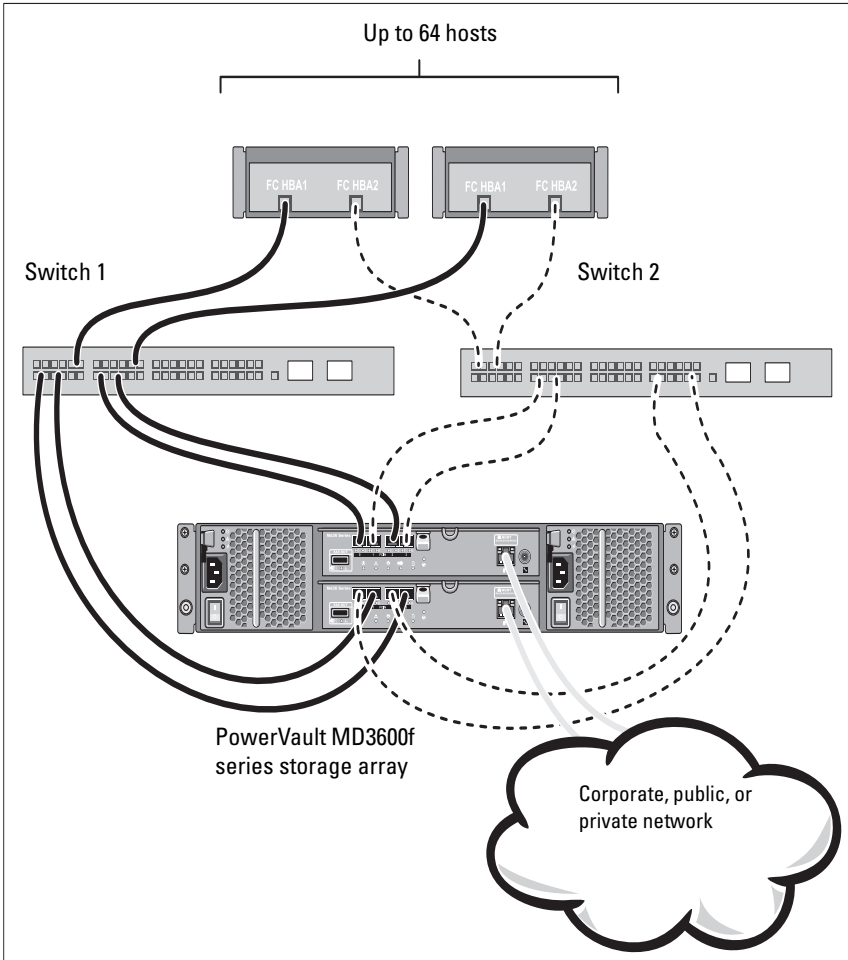
Common Configurations

Cabling Your Direct-Attached Hosts




Cabling Your SAN-Attached Hosts

The illustration below represents a redundant system. For example, a system used in a remote replication environment.



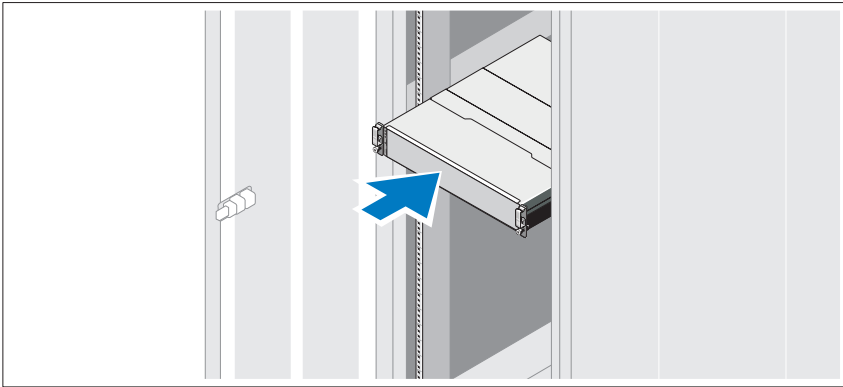
Installation and Configuration

 **WARNING:** Before performing the following procedure, review the safety instructions that came with the system.


Unpacking the System

Unpack your system and identify each item with the packing list that shipped with your system.

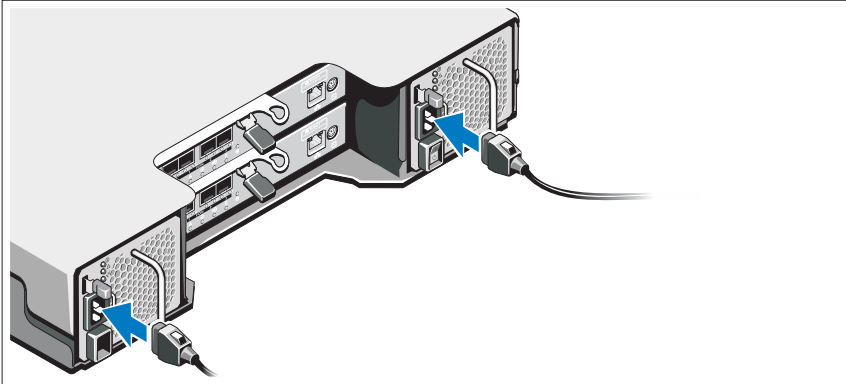
Installing the Rails and System in a Rack



Assemble the rails and install the system in the rack following the safety instructions and the rack installation instructions provided with your system.

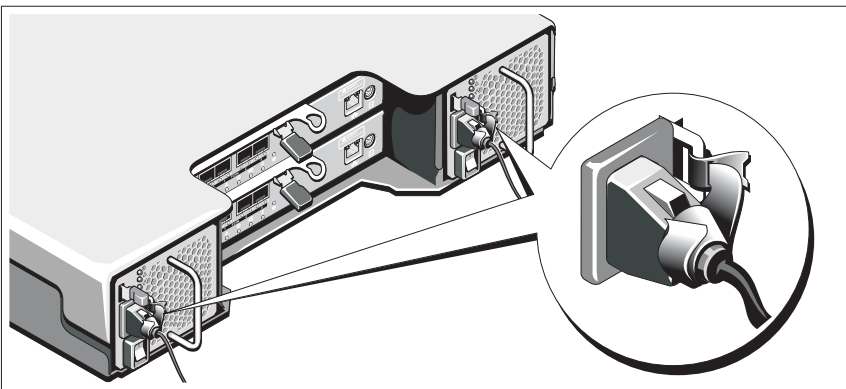
 **NOTE:** To balance the weight load, it is recommended that you install the PowerVault MD3600f series storage array at the bottom of the rack and the PowerVault MD1200 series expansion enclosures above it.

Connecting the Power Cable(s)



Ensure that the power switch is in the OFF position before connecting the power cables. Connect the system's power cable(s) to the system.

Securing the Power Cable(s)



Secure the cable(s) firmly to the bracket using the provided strap. Plug the other end of the power cables into a grounded electrical outlet or a separate power source such as an uninterruptible power supply (UPS) or a power distribution unit (PDU). Each power supply must be connected to a separate power circuit.

Installing and Removing SFP Modules

To install SFP modules:

- 1 If all the FC IN ports have an SFP module installed, go to step 5.
- 2 Remove the SFP module from the static protective package.
- 3 Remove the protective cap from the SFP module and SFP port. Store the protective caps for future use.
- 4 Insert the SFP module into the host port until it clicks into place.
- 5 Connect an FC cable. See "Installing and Removing Fibre Channel Cables" on page 10.

To remove SFP modules:

- 1 Remove the FC cable from the SFP module. See "Installing and Removing Fibre Channel Cables" on page 10.



NOTE: To avoid damaging the cable or the SFP module, disconnect the FC cable before removing the SFP module.

- 2 Unlock the SFP module latch. For SFP modules that contain wire tabs, unlock the SFP module latch by pulling the wire latch outward 90°.
- 3 With the SFP module latch in the unlocked position, remove the SFP module. For SFP modules that contain wire tabs, grasp the wire latch and pull the SFP module out of the port.
- 4 Replace the protective cap on the SFP module and the host port.
- 5 Place the SFP module into a static-protective package.

Installing and Removing Fibre Channel Cables



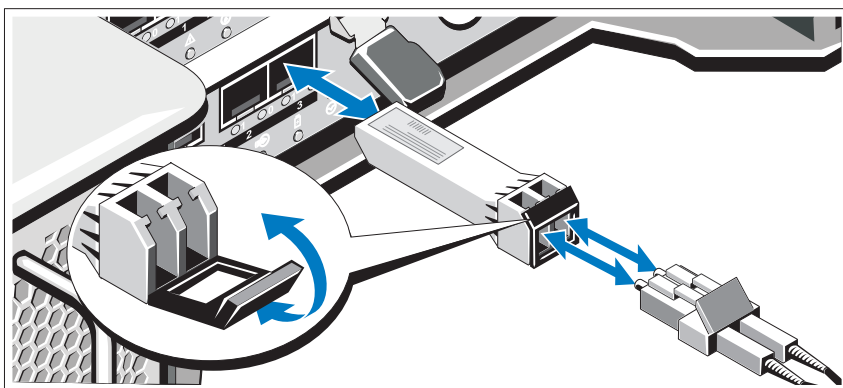
WARNING: Data processing environments can contain equipment transmitting on system links with laser modules that operate at greater than Class 1 power levels. Never look into the end of an optical fiber cable or open receptacle.

Before installing an FC cable, see "Guidelines for Using Fiber Optic Cables" on page 4.

To install an FC cable:

- 1 If applicable, remove the protective cap from the SFP module and store the protective cap for future use.
- 2 Remove the two protective caps from one end of the cable and store them for future use.

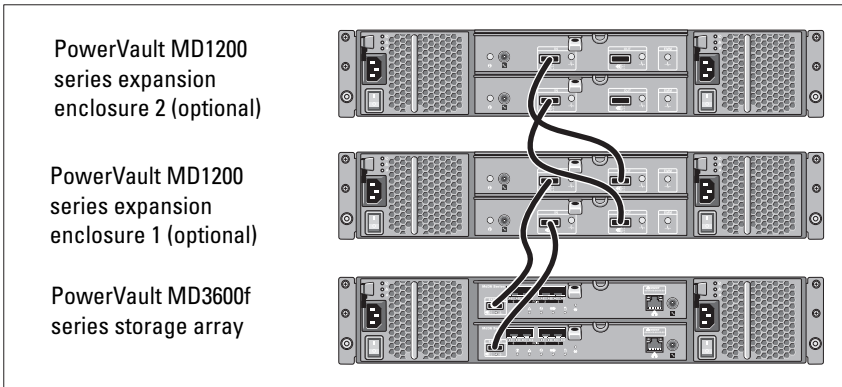
- 3** Insert the cable into an SFP module that is installed in the storage array. The cable connector is keyed for correct installation. Holding the connector, push in the cable until it clicks into place.
- 4** Remove the two protective caps from the other end of the cable and store them for future use.
- 5** Connect this end of the cable to one of the following devices:
 - An SFP module that is installed in an FC switch port
 - A FC HBA port



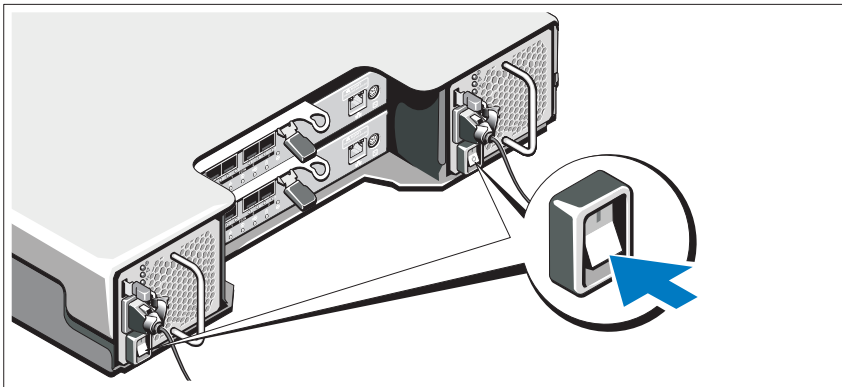
To remove an FC cable:

- 1** Press and hold the lever to release the latches before removing the cable from the SFP module. Ensure that the levers are in the released position when removing the cable. Do not grasp the SFP module plastic tab when removing the cable.
- 2** On the end of the cable that connects into the SFP module or HBA, press down and hold the lever to release the latches.
- 3** While pressing down the cable lever, pull the connector to remove the cable from the SFP module.
- 4** Replace the protective caps on the cable ends.
- 5** Replace the protective cap on the SFP module.

Cabling Your Expansion Enclosure




Turning On the Storage Array




Turn on the components in the following order:

- 1 FC switches (if used)
- 2 MD1200 series expansion enclosures (if used)

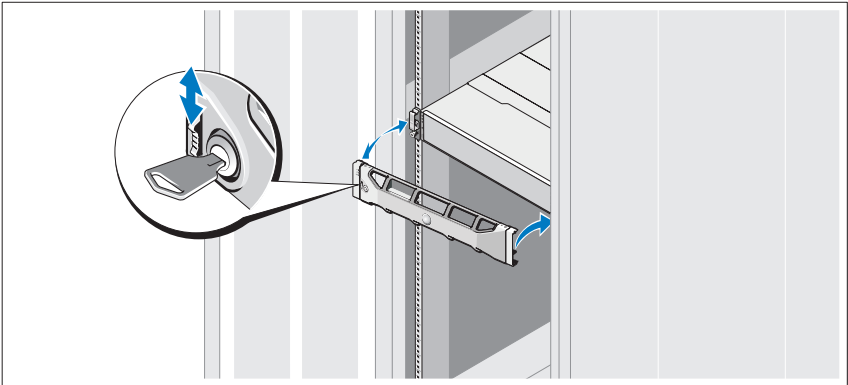
 **NOTE:** Before turning on the storage array, ensure that the expansion enclosure status LED is blue.

3 MD3600f series storage array

 **NOTE:** Before turning on the host server(s), ensure that the storage array status LED is blue.


4 Host server(s)

Installing the Bezel




Install the bezel (optional).

Installing HBAs and Drivers

 **NOTE:** Ensure that you read the *Configuring Fibre Channel With the Dell MD3600f Series Storage Array* document before continuing with this procedure. For detailed instructions about installing the MD storage software, setting up the enclosure, and the post-installation tasks, see the *Deployment Guide*.

- 1 Physically install the HBAs.
- 2 Connect the cables.
- 3 Install the HBA drivers and the operating system HBA patches/hotfixes.
- 4 Ensure that the recommended HBA settings are applied.


Installing the MD Storage Software

 **NOTE:** For detailed instructions about installing the MD storage software, setting up the enclosure, and the post-installation tasks, see the *Deployment Guide*.


The MD Storage Manager application configures, manages, and monitors the storage array. To install the MD storage software:

- 1 Insert the MD series resource media.

Depending on your operating system, the installer may launch automatically. If the installer does not launch automatically, navigate to the root directory of the installation media (or downloaded installer image) and run the `md_launcher.exe` file. For Linux-based systems, navigate to the root of the resource media and run the `autorun` file.


 **NOTE:** By default, the Red Hat Enterprise Linux operating system mounts the resource media with the `-noexec` mount option which does not allow you to run executable files. To change this setting, see the **Readme** file in the root directory of the installation media.

- 2 Select **Install MD Storage Software**.
- 3 Read and accept the license agreement.
- 4 Select one of the following installation options from the **Install Set** drop-down menu:
 - **Full (recommended)**—Installs the MD Storage Manager (client) software, host-based storage agent, multipath driver, and hardware providers.
 - **Host Only**—Installs the host-based storage agent and multipath drivers.
 - **Management**—Installs the management software and hardware providers.
 - **Custom**—Allows you to select specific components.
- 5 Select the MD storage array model(s) you are setting up to serve as data storage for this host server.
- 6 Choose whether to start the event monitor service automatically when the host server reboots or manually.

 **NOTE:** This option is applicable only to Windows client software installation.
- 7 Confirm the installation location and click **Install**.


8 If prompted, reboot the host server once the installation completes.

9 Start the **MD Storage Manager** and discover the array(s).

 **NOTE:** If Dynamic Host Configuration Protocol (DHCP) is not used on the network where the MD storage array's management ports are connected, it is recommended that you enable IPv6 on the management station to discover the storage array(s).

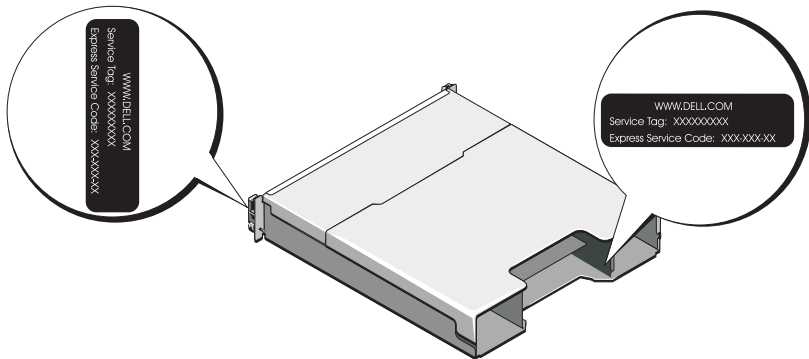
10 Configure single initiator and multiple target zoning on your Fibre Channel switches. For information about zoning, see the *Deployment Guide*.

11 If applicable, activate any premium features purchased with your storage array. If you purchased premium features, see the printed activation card shipped with your storage array.

 **NOTE:** The MD Storage Manager installer automatically installs the required drivers, firmware, and operating system patches/hotfixes to operate your storage array. These drivers and firmware are also available at support.dell.com. In addition, see the *Support Matrix* at support.dell.com/manuals for any additional settings and/or software required for your specific storage array.

Locating Your Service Tag

Your system is identified by a unique Express Service Code and Service Tag number. The Express Service Code and Service Tag are found on the front of the system and at the back of the system next to the RAID controller modules. This information is used by Dell to route support calls to the appropriate personnel.



NOM Information (Mexico Only)

The following information is provided on the device described in this document in compliance with the requirements of the official Mexican standards (NOM):

Importer:	Dell Inc. de México, S.A. de C.V. Paseo de la Reforma 2620 -11º Piso Col. Lomas Altas 11950 México, D.F.
Model number:	E03J and E04J
Supply voltage:	100–240 V CA
Frequency:	50/60 Hz
Current consumption:	8.6 A

Technical Specifications

Drives

PowerVault MD3600f	Up to twelve 3.5" SAS hot-swappable hard drives (3.0 Gbps and 6.0 Gbps)
PowerVault MD3620f	Up to twenty four 2.5" SAS hot-swappable hard drives (3.0 Gbps and 6.0 Gbps)

RAID Controller Modules

RAID controller modules	<ul style="list-style-type: none">• One or two hot-swappable modules with temperature sensors• 2 GB of cache per controller
-------------------------	--

Back-Panel Connectors (Per RAID Controller Module)

FC connectors	Four FC IN ports to connect hosts
SAS connector	One SAS OUT port for expansion to an additional PowerVault MD12xx enclosure NOTE: The SAS connector is SFF-8088 compliant.
Serial connector	One 6-pin mini-DIN connector NOTE: For technical support use only.

Back-Panel Connectors (Per RAID Controller Module) (continued)

Management Ethernet connector	<p>One 100/1000 Base-T port Ethernet for out-of-band management of the enclosure</p> <p>NOTE: The default management port IP addresses for the primary and secondary RAID controller modules are 192.168.128.101 and 192.168.128.102, respectively. By default, the management ports are set to DHCP. If the controller is unable to get an IP address configuration from a DHCP server within a specified time out period (approximately 3 minutes), it defaults back to static IP addressing. For more information, see the <i>Deployment Guide</i>.</p>
-------------------------------	---

Expansion

PowerVault MD1200 series	<p>Supports a maximum of 192 hard drives with any combination of PowerVault MD1200 or PowerVault MD1220 expansion enclosures. Support for 192 hard drives is a Premium Feature and requires activation. The maximum number of hard drives supported without using the Premium Feature is 120.</p> <p>Redundant path connectivity provides redundant data paths to each hard drive.</p>
--------------------------	--

Backplane Board

Connectors	<ul style="list-style-type: none">• 12 or 24 SAS hard-drive connectors• Two power supply/cooling fan module connectors• Two sets of RAID controller module connectors• One control panel connector for front LEDs and system identification button
Sensors	Two temperature sensors

LED Indicators

Front panel	<ul style="list-style-type: none">• One two-color LED indicator for system status• Two single-color LED indicators for power and enclosure mode <p>NOTE: The enclosure mode LED is not applicable to the PowerVault MD3600f series storage array.</p>
Hard-drive carrier	<ul style="list-style-type: none">• One single-color activity LED• One two-color LED status indicator per drive
Power supply/cooling fan	Three LED status indicators for power supply status, power supply/fan fault, and AC status
RAID controller module	14 single-color LEDs: <ul style="list-style-type: none">• One battery fault• One cache active• One controller fault• One controller power• One system identification• One management Ethernet activity• Eight FC link or fault 2 two-color LEDs: <ul style="list-style-type: none">• One SAS OUT link or fault• One management Ethernet link speed

Switch

System identification button	Located on the front control panel. This button is used to locate a system within a rack.
Enclosure mode switch	Located on the front of the system. This switch is not applicable to the PowerVault MD3600f series storage array.
Password reset switch	Located on the back-panel of the RAID controller module. This switch is used to reset the storage array password.

Power Supplies

AC power supply (per power supply)

Wattage	600 W
Voltage	100–240 VAC (8.6 A–4.3 A)
Heat dissipation	100 W
Maximum inrush current	Under typical line conditions and over the entire system ambient operating range, the inrush current may reach a maximum of 55 A per power supply for 10 ms or less.

Available Hard Drive Power (Per Slot)

PowerVault MD3600f	25 W
PowerVault MD3620f	12 W

RAID Controller Module Power (Per Slot)

Maximum power consumption	100 W
---------------------------	-------

Physical

PowerVault MD3600f

Height	8.68 cm (3.41")
Width	44.63 cm (17.57")
Depth	60.20 cm (23.70")
Weight (maximum configuration)	29.30 kg (64.6 lb)
Weight (empty)	8.84 kg (19.5 lb)

PowerVault MD3620f

Height	8.68 cm (3.41")
Width	44.63 cm (17.57")
Depth	54.90 cm (21.61")
Weight (maximum configuration)	24.22 kg (53.4 lb)
Weight (empty)	8.61 kg (19 lb)

Environmental

NOTE: For additional information about environmental measurements for specific system configurations, see www.dell.com/environmental_datasheets.

Temperature

Operating 10 °C to 35 °C (50 °F to 95 °F) with a maximum temperature gradation of 10 °C per hour

NOTE: For altitudes above 2950 feet, the maximum operating temperature is derated 1°F/550 ft.

Storage -40° to 65°C (-40° to 149°F) with a maximum temperature gradation of 20°C per hour

Relative humidity

Operating 20% to 80% (noncondensing) with a maximum humidity gradation of 10% per hour

Storage 5% to 95% (noncondensing)

Maximum vibration

Operating 0.25 G at 3–200 Hz for 15 min

Storage 0.5 G at 3–200 Hz for 15 min

Maximum shock

Operating One shock pulse in the positive z axis (one pulse on each side of the system) of 31 G for 2.6 ms in the operational orientation

Storage Six consecutively executed shock pulses in the positive and negative x, y, and z axes (one pulse on each side of the system) of 71 G for up to 2 ms

Altitude

Operating -16 to 3048 m (-50 to 10,000 ft)

NOTE: For altitudes above 2950 feet, the maximum operating temperature is derated 1°F/550 ft.

Storage -16 to 10,600 m (-50 to 35,000 ft)

Airborne Contaminant Level

Class G1 as defined by ISA-S71.04-1985

Matrices de stockage
Dell PowerVault
MD3600f et MD3620f
Guide de mise en route

Séries de modèle réglementaire E03J et E04J



Remarques, précautions et avertissements



REMARQUE : une REMARQUE indique des informations importantes qui peuvent vous aider à mieux utiliser votre ordinateur.



PRÉCAUTION : une PRÉCAUTION vous avertit d'un risque d'endommagement du matériel ou de perte de données en cas de non-respect des instructions.



AVERTISSEMENT : un AVERTISSEMENT indique un risque d'endommagement du matériel, de blessure corporelle ou de mort.

Les informations que contient ce document sont sujettes à modification sans préavis.

© 2011 Dell Inc. Tous droits réservés.

La reproduction de ce document, de quelque manière que ce soit, sans l'autorisation écrite de Dell Inc. est strictement interdite.

Marques utilisées dans ce document : Dell™, le logo DELL et PowerVault™ sont des marques de Dell Inc. Microsoft® et Windows Server® sont des marques ou des marques déposées de Microsoft Corporation aux États-Unis et/ou dans d'autres pays. Red Hat® et Red Hat Enterprise Linux® sont des marques déposées de Red Hat, Inc. aux États-Unis et dans d'autres pays. SUSE® est une marque déposée de Novell, Inc. aux États-Unis et dans d'autres pays. VMware® est une marque déposée de VMware, Inc. aux États-Unis et/ou dans d'autres juridictions.

D'autres marques et noms commerciaux peuvent être utilisés dans ce document pour faire référence aux entités revendiquant la propriété de ces marques ou de ces noms de produits. Dell Inc. rejette tout intérêt exclusif dans les marques et les noms commerciaux autres que les siens.

Séries de modèle réglementaire E03J et E04J

2011 - 08 N/P 1K67M Rév. A02

Avant de commencer



REMARQUE : dans ce document, les références à la matrice de stockage Dell PowerVault série MD3600f concernent les matrices de stockage Dell PowerVault MD3600f et Dell PowerVault MD3620f. « Boîtier d'extension Dell PowerVault série MD1200 » désigne à la fois le Dell PowerVault MD1200 et le Dell PowerVault MD1220.

Avant d'installer votre matrice de stockage Dell PowerVault MD3600f, vous devez considérer certaines pratiques d'excellence pour assurer le fonctionnement le plus efficace possible de votre matrice de stockage et une redondance complète (si nécessaire).

- Pour activer la redondance, deux cartes de bus hôte (HBA) Fibre Channel (FC) doivent être connectées à partir du système hôte à la matrice de stockage. Si la redondance n'est pas nécessaire, seule une carte HBA FC est connectée à la matrice de stockage. Voir les documents *Matrice de prise en charge* pour obtenir une liste des cartes HBA prises en charge et *Configuration Fibre Channel avec la matrice de stockage Dell série MD3600f* pour obtenir des informations sur l'installation de pilotes HBA. Vous pouvez également les télécharger à partir de support.dell.com/manuals.
- Avant de connecter tout câble entre le serveur hôte et la matrice de stockage, étiquetez physiquement chaque port et chaque connecteur.
- Suivez toujours les procédures de mise sous et hors tension lors des cycles d'alimentation du réseau. Vous devez également vous assurer que les composants essentiels du réseau se trouvent sur différents circuits d'alimentation.

Fonctionnement des modules SFP et des câbles à fibre optique



REMARQUE : les modules SFP+ sont pris en charge pour les connexions Fibre Channel 8 Go. Ce document fait référence à SFP de manière générique.

Chaque contrôleur de stockage peut avoir jusqu'à quatre ports hôte FC. Un module enfichable compact (SFP) sert à connecter un port hôte à un hôte ou à un commutateur. Le module SFP est inséré dans le port, puis un câble à fibre optique est inséré dans le module SFP. L'autre extrémité du câble à fibre optique est connectée à un connecteur d'interface optique sur la carte HBA FC d'un hôte ou d'un commutateur. Les modules SFP sont des produits laser.



AVERTISSEMENT : les environnements de traitement de données peuvent contenir un équipement de transmission vers des liens système avec des modules laser qui fonctionnent à des niveaux de puissance plus élevés que ceux de la classe 1. Ne regardez jamais dans l'extrémité d'un câble à fibre optique et n'ouvrez jamais son réceptacle.

Consignes d'utilisation des câbles à fibre optique

- N'acheminez pas le câble le long d'un bras de gestion de câbles coudé.
- Pour les périphériques sur rails coulissants, ne tirez pas trop sur les câbles afin qu'ils ne se plient pas à un diamètre de moins de 76 mm (3 po.), ou à un rayon de moins de 38 mm (1,5 po.), lorsqu'ils sont tendus et pour éviter qu'ils ne soient pincés lorsqu'ils reviennent en place.
- Acheminez les câbles loin des autres appareils qui pourraient les endommager dans l'armoire.
- N'utilisez pas de pinces de câble en plastique au lieu des attaches de câble fournies.
- Ne serrez pas trop les attaches de câble et ne pliez pas les câbles à un diamètre de moins de 76 mm (3 po) ou à un rayon de moins de 38 mm (1,5 po).
- N'appliquez pas une pression trop forte au point de connexion du câble. Assurez-vous que le câble est bien soutenu.

Consignes pour l'utilisation des modules SFP

La matrice de stockage exige des modules SFP. Les modules SFP convertissent les signaux électriques en signaux optiques requis pour la transmission FC à partir de et vers les modules de contrôleur RAID. Une fois les modules SFP installés, les câbles à fibre optique sont utilisés pour connecter la matrice de stockage à d'autres périphériques FC. Avant d'installer les modules SFP et les câbles à fibre optique, lisez les informations suivantes :

- Utilisez uniquement les modules SFP pris en charge par Dell avec les matrices de stockage PowerVault série MD3600f. Les autres modules SFP génériques ne sont pas pris en charge et peuvent ne pas fonctionner avec les matrices de stockage.
- Le boîtier du module SFP est doté d'un détrompeur intégral conçu pour vous empêcher d'introduire le module SFP de manière incorrecte.
- Utilisez un minimum de pression lors de l'insertion d'un module SFP dans un port FC. Si vous forcez le module SFP dans un port, vous risquez d'endommager le module SFP ou le port.
- Vous pouvez installer ou retirer le module SFP du port même si ce dernier est sous tension.
- Vous devez installer le module SFP dans un port avant de connecter le câble à fibre optique.
- Vous devez retirer le câble à fibre optique du module SFP avant de retirer le module SFP du port.



PRÉCAUTION : lorsque vous manipulez des périphériques sensibles à l'électricité statique, prenez soin de ne pas endommager le produit avec l'électricité statique.

Autre documentation et support dont vous pourriez avoir besoin



AVERTISSEMENT : reportez-vous aux informations sur la sécurité et les réglementations qui accompagnent votre système. Les informations sur la garantie se trouvent dans ce document ou dans un document distinct.



REMARQUE : tous les documents PowerVault série MD3600f sont disponibles sur le site support.dell.com/manuals.

- La documentation fournie avec le rack indique comment installer le système dans un rack.
- Le document *Hardware Owner's Manual* (Manuel du propriétaire du matériel) contient des informations sur les caractéristiques du système, ainsi que des instructions relatives au dépannage et à l'installation ou au remplacement de composants.
- Le *Guide de déploiement* fournit des informations sur l'installation et la configuration du logiciel et du matériel.
- Le *Guide CLI* fournit des informations sur l'utilisation de l'interface de ligne de commande (CLI) pour configurer et gérer votre matrice de stockage.
- Le document *SMI-S Programmer's Guide* (Guide de programmeur SMI-S) contient des informations sur l'utilisation de l'opérateur SMI-S et la programmation de SMI-S.
- Tous les supports fournis avec le système contiennent de la documentation et des outils de configuration et de gestion de votre système d'exploitation, notamment du système même et du logiciel de gestion, des mises à jour et des composants système que vous avez achetés avec le système.



REMARQUE : vérifiez toujours si des mises à jour sont disponibles sur le site support.dell.com/manuals et lisez-les en premier, car elles remplacent souvent les informations que contiennent les autres documents.

Systèmes d'exploitation pris en charge

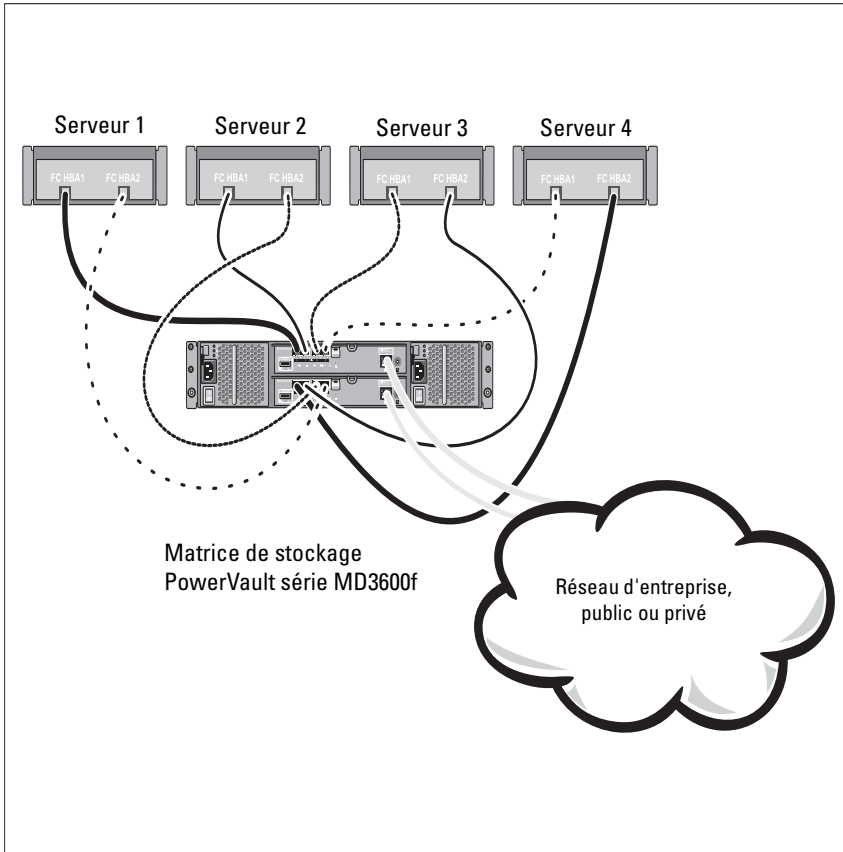
- Microsoft Windows Server
- Red Hat Enterprise Linux
- SUSE Linux Enterprise Server
- VMware



REMARQUE : pour obtenir les informations les plus récentes sur toutes les versions de système d'exploitation prises en charge, reportez-vous à la *Matrice de support* à l'adresse support.dell.com/manuals.

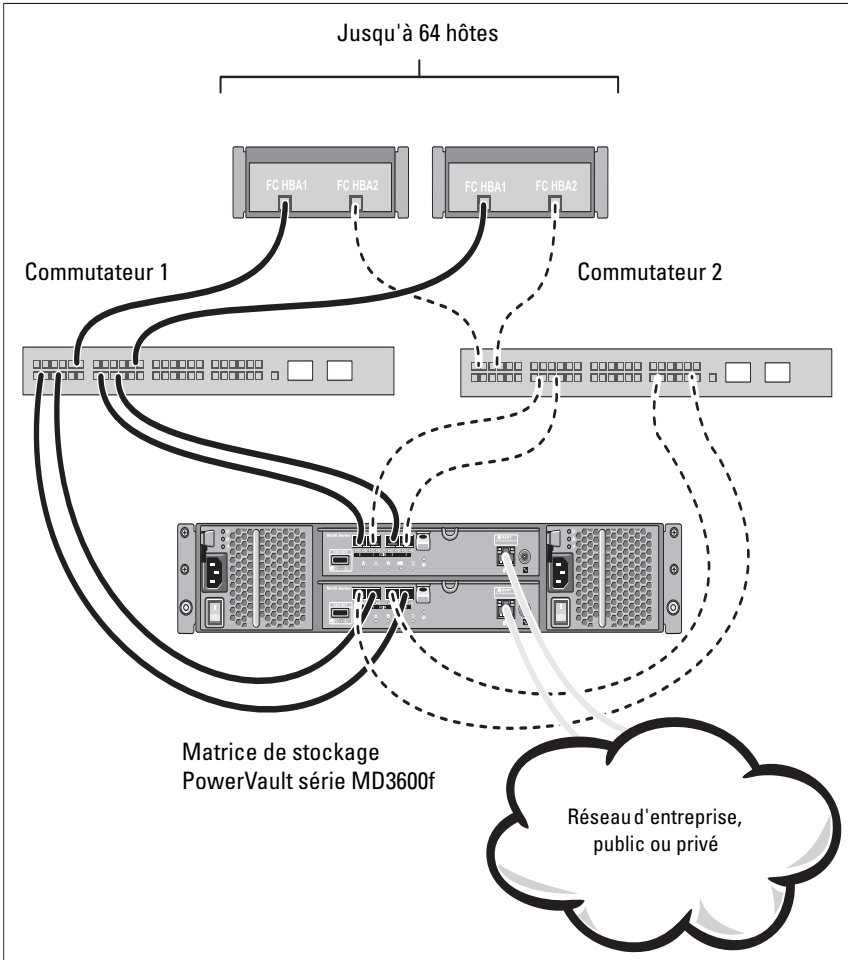
Configurations courantes

Câblage des hôtes reliés directement



Câblage des hôtes reliés au réseau SAN

L'illustration ci-dessous représente un système redondant. Par exemple, un système utilisé dans un environnement de réplication à distance.



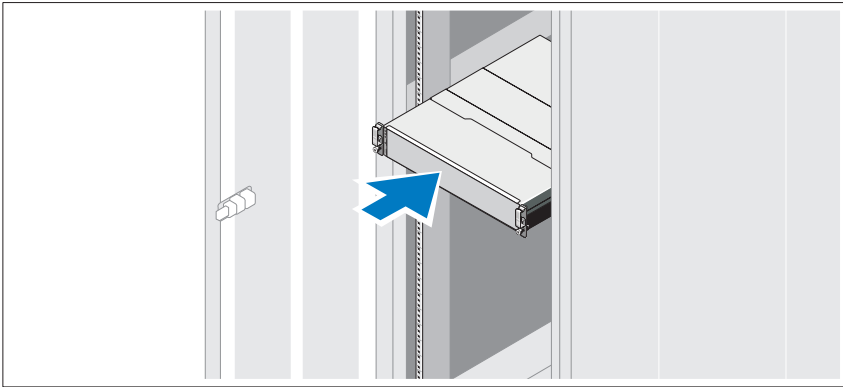
Installation et configuration

 **AVERTISSEMENT :** avant d'exécuter la procédure ci-dessous, lisez les consignes de sécurité fournies avec le système.


Déballage du système

Déballer votre système et identifier chaque élément en consultant la liste de composants livrée avec votre système.

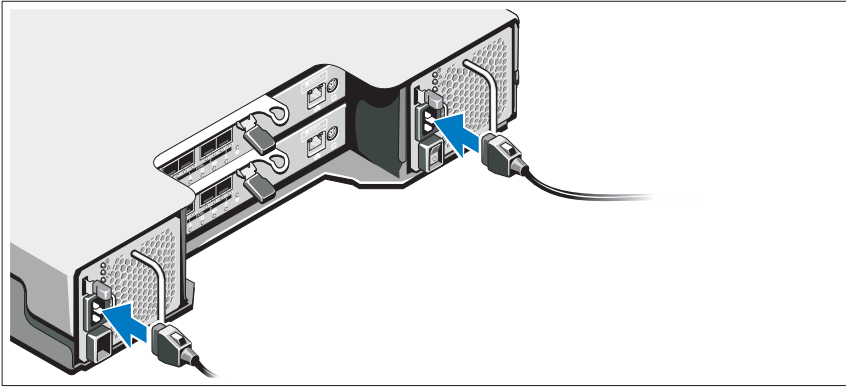
Installation des rails et du système dans un rack



Assemblez les rails et installez le système dans le rack en suivant les consignes de sécurité et les instructions d'installation du rack fournies avec votre système.

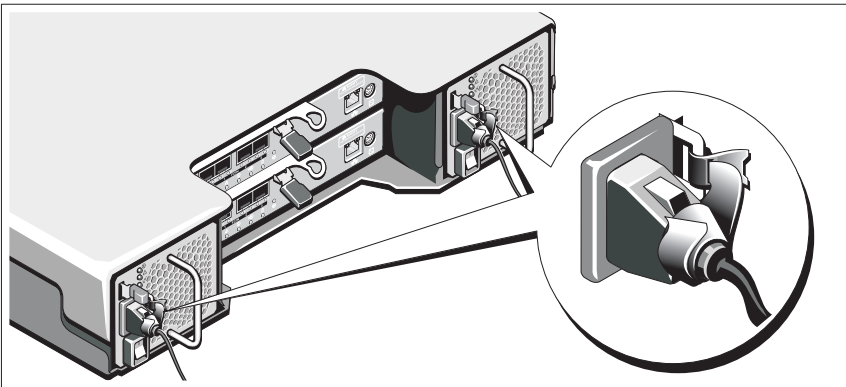
 **REMARQUE :** pour équilibrer la charge, nous vous recommandons d'installer la matrice de stockage PowerVault série MD3600f en bas du rack et les boîtiers d'extension PowerVault série MD1200 au-dessus.

Branchement du ou des câbles d'alimentation



Avant de connecter les câbles d'alimentation, assurez-vous que le commutateur d'alimentation est en position OFF (ÉTEINT). Branchez le ou les câbles d'alimentation sur le système.

Fixation du ou des câbles d'alimentation



Fixez fermement les câbles au support de fixation à l'aide de la lanière fournie. Branchez ensuite l'autre extrémité des câbles d'alimentation sur une prise de courant mise à la masse ou sur une source d'alimentation autonome (onduleur [UPS] ou unité de distribution de l'alimentation [PDU]...). Chaque bloc d'alimentation doit être connecté à un circuit d'alimentation séparé.

Installation et retrait des modules SFP

Pour installer des modules SFP :

- 1 Si tous les ports d'entrée FC disposent d'un module SFP, passez à l'étape 5.
- 2 Retirez le module SFP de son emballage antistatique protecteur.
- 3 Retirez le cache de protection du module SFP et du port SFP. Rangez les caches de protection pour un usage ultérieur.
- 4 Introduisez le module SFP dans le port hôte jusqu'à ce qu'il s'enclenche.
- 5 Connectez un câble FC. Voir « Installation et retrait de câbles Fibre Channel », à la page 30.

Pour supprimer des modules SFP :

- 1 Retirez le câble FC du module SFP. Voir « Installation et retrait de câbles Fibre Channel », à la page 30.



REMARQUE : pour ne pas endommager le câble ou le module SFP, déconnectez le câble FC avant de retirer le module SFP.

- 2 Déverrouillez le loquet du module SFP. Dans le cas des modules SFP qui contiennent des languettes métalliques, déverrouillez le loquet du module SFP en tirant sur le loquet vers l'extérieur à 90 °.
- 3 Lorsque le loquet du module SFP se trouve en position ouverte, retirez le module. Dans le cas des modules SFP munis d'une languette métallique, saisissez la languette et extrayez le module SFP du port.
- 4 Réinstallez le cache de protection sur le module SFP et le port hôte.
- 5 Placez le module SFP dans son emballage protecteur antistatique.

Installation et retrait de câbles Fibre Channel



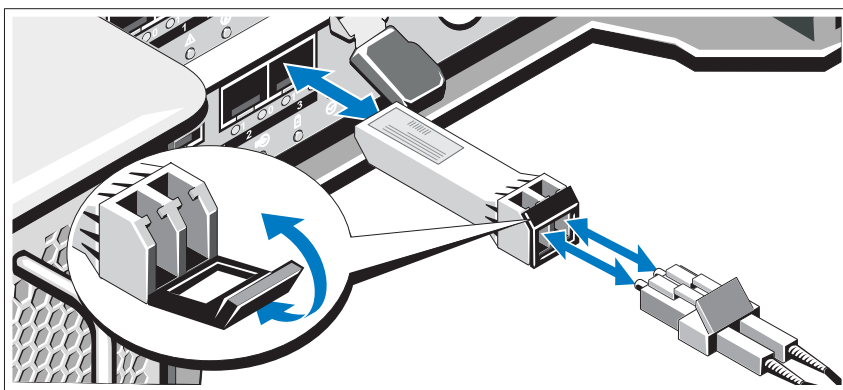
AVERTISSEMENT : les environnements de traitement de données peuvent contenir un équipement de transmission vers des liens système avec des modules laser qui fonctionnent à des niveaux de puissance plus élevés que ceux de la classe 1. Ne regardez jamais dans l'extrémité d'un câble à fibre optique et n'ouvrez jamais son réceptacle.

Avant d'installer un câble FC, voir « Consignes d'utilisation des câbles à fibre optique », à la page 24.

Pour installer un câble FC :

- 1 Le cas échéant, retirez le cache protecteur du module SFP et rangez-le pour un usage ultérieur.
- 2 Retirez les deux caches protecteurs de l'extrémité du câble et rangez-les pour un usage ultérieur.

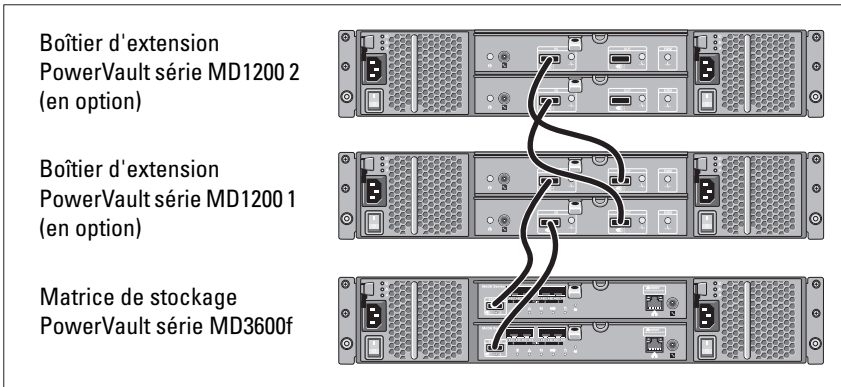
- 3** Introduisez le câble dans un module SFP installé dans la matrice de stockage. Le connecteur de câble est muni d'un détrompeur pour une installation correcte. Tout en maintenant le connecteur, enfoncez-y le câble jusqu'à ce qu'il s'enclenche.
- 4** Retirez les deux caches protecteurs de l'autre extrémité du câble et rangez-les pour un usage ultérieur.
- 5** Connectez cette extrémité du câble à un des périphériques suivants :
 - Un module SFP installé dans un port de commutateur FC
 - Un port HBA FC



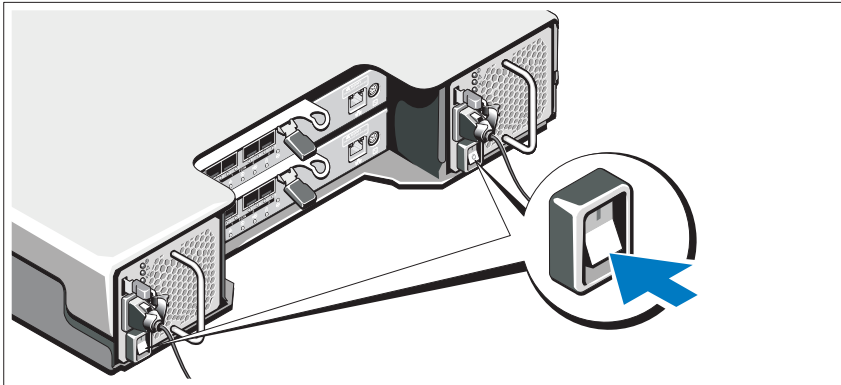
Pour retirer un câble FC :

- 1** Appuyez sur le levier et maintenez la pression pour libérer les loquets avant de retirer le câble du module SFP. Assurez-vous que les leviers sont en position ouverte lors du retrait du câble. Ne saisissez pas la languette en plastique du module SFP lors du retrait du câble.
- 2** À l'extrémité du câble connecté au module SFP ou HBA, appuyez sur le levier et maintenez la pression pour libérer les loquets.
- 3** Tout en appuyant sur le levier du câble, tirez sur le connecteur pour retirer le câble du module SFP.
- 4** Réinstallez les caches de protection sur les extrémités du câble.
- 5** Réinstallez le cache de protection sur le module SFP.

Câblage de votre boîtier d'extension




Mise sous tension de la matrice




Mettez les composants sous tension dans l'ordre suivant :

- 1 Commutateurs FC (le cas échéant)
- 2 Boîtiers d'extension série MD1200 (si utilisés)

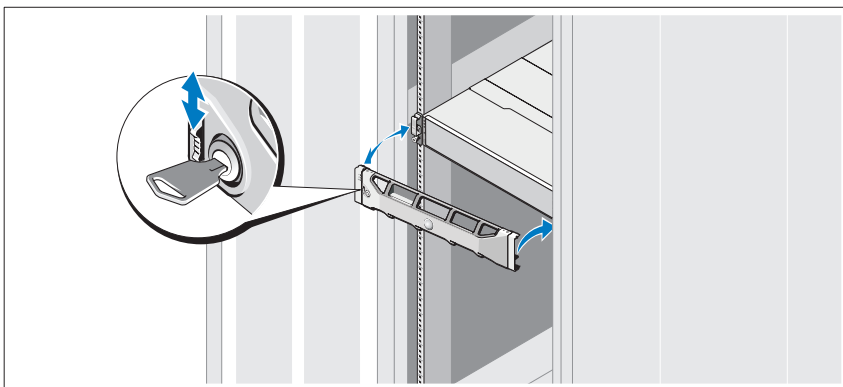
 **REMARQUE** : avant d'allumer la matrice de stockage, assurez-vous que le voyant d'état du boîtier d'extension est bleu.

3 Matrice de stockage série MD3600f

 **REMARQUE** : avant d'allumer le(s) serveur(s) hôte, assurez-vous que le voyant d'état de la matrice de stockage est bleu.


4 Serveur(s) hôte

Installation du cadre



Installez le cadre (en option).

Installation de cartes HBA et de pilotes

 **REMARQUE** : consultez le document *Configuring Fibre Channel With the Dell MD3600f Series Storage Array* (Configuration Fibre Channel avec la matrice de stockage Dell série MD3600f) avant de continuer. Pour des instructions détaillées sur l'installation du logiciel MD Storage, la configuration du boîtier, et les tâches de post-installation, voir le *Guide de déploiement*.

- 1 Installez physiquement les cartes HBA.
- 2 Connectez les câbles.
- 3 Installez les pilotes HBA et les correctifs du système d'exploitation HBA.
- 4 Assurez-vous que les paramètres HBA recommandés sont appliqués.

Installation du logiciel MD Storage



REMARQUE : pour des instructions détaillées sur l'installation du logiciel MD Storage, la configuration du boîtier, et les tâches de post-installation, voir le *Guide de déploiement*.

L'application MD Storage Manager configure, gère, et contrôle la matrice de stockage. Pour installer le logiciel MD Storage Manager :

- 1 Insérez le support Ressource série MD.

En fonction de votre système d'exploitation, le programme d'installation se lancera peut-être automatiquement. Si le programme d'installation ne se lance pas automatiquement, naviguez dans le répertoire racine du support d'installation (ou téléchargez l'image du programme d'installation) et exécutez le fichier `md_launcher.exe`. Pour les systèmes exécutant Linux, naviguez vers la racine du support Ressource et exécutez le fichier `autorun` (Exécution auto).



REMARQUE : par défaut, le système d'exploitation Red Hat Enterprise Linux (RHEL) monte le support Ressource à l'aide de l'option de montage `-noexec mount`, qui ne vous permet pas d'exécuter les fichiers exécutables. Pour modifier ce paramètre, consultez le fichier `Lisez-moi` dans le répertoire racine du support d'installation.

- 2 Sélectionnez **Install MD Storage Software** (Installer le logiciel de stockage MD).
- 3 Lisez le contrat de licence et acceptez-le.
- 4 Sélectionnez l'une des options d'installation suivantes dans le menu déroulant **Install Set** (Configuration d'installation) :
 - **Full (recommended)** (Complète - recommandée) : installe le logiciel (client) MD Storage Manager, l'agent de stockage hôte, le pilote multivoies, et les fournisseurs de matériel.
 - **Host Only** (Hôte uniquement) : installe l'agent de stockage hôte et les pilotes multivoies.
 - **Management** (Gestion) : installe le logiciel de gestion et les fournisseurs de matériel.
 - **Custom** (Personnalisée) : permet de sélectionner des composants spécifiques.
- 5 Sélectionnez le(s) modèle(s) de matrice de stockage MD que vous souhaitez définir comme stockage de données pour ce serveur hôte.
- 6 Choisissez de démarrer le service de moniteur des événements automatiquement lors du redémarrage du serveur hôte ou manuellement



REMARQUE : cette option ne s'applique qu'à l'installation du logiciel client Windows.

- 7 Confirmez l'emplacement de l'installation et cliquez sur **Install** (Installer).
- 8 À l'invitation (le cas échéant), redémarrez le serveur hôte après la fin de l'installation.
- 9 Démarrez **MD Storage Manager** et lancez la détection des matrices.



REMARQUE : si le protocole Dynamic Host Configuration Protocol (DHCP) n'est pas utilisé sur le réseau de connexion des ports de gestion de la matrice de stockage MD, il est conseillé d'activer IPv6 sur la station de gestion pour détecter la/les matrice(s) de stockage.

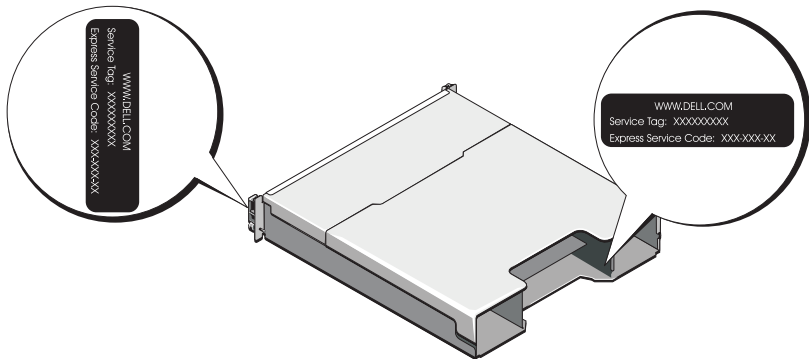
- 10 Configurez des zones d'initiateur simple et de cibles multiples sur vos commutateurs Fibre Channel. Pour obtenir des informations sur la configuration de zones, voir le *Guide de déploiement*.
- 11 Le cas échéant, activez les fonctions premium achetées avec votre matrice de stockage. Si vous avez acheté des fonctions premium, consultez la carte d'activation livrée avec votre matrice de stockage.



REMARQUE : l'installateur **MD Storage Manager** installe automatiquement les pilotes, micrologiciel et correctifs de système d'exploitation nécessaires au fonctionnement de votre matrice de stockage. Ces pilotes et micrologiciels sont également disponibles à l'adresse support.dell.com. Consultez également la *Matrice de prise en charge* à l'adresse support.dell.com/manuals pour connaître les paramètres et/ou logiciels supplémentaires requis pour votre matrice de stockage particulière.

Identification du numéro de service

Votre système est identifié par un code de service express et un numéro de service uniques. Le code de service express et le numéro de service se situent à l'avant et à l'arrière du système à côté des modules de contrôleur RAID. Dell utilise ces informations pour acheminer les appels de support au technicien qui convient.



Informations NOM (Mexique uniquement)

Les informations suivantes sur l'appareil décrit dans ce document sont fournies conformément aux exigences de la Norme Officielle Mexicaine (NOM) :

Importateur :	Dell Inc. de México, S.A. de C.V. Paseo de la Reforma 2620 -11º Piso Col. Lomas Altas 11950 México, D.F.
Numéro de modèle :	E03J et E04J
Tension d'alimentation :	100 à 240 V CA
Fréquence :	50/60 Hz
Consommation électrique :	8,6 A

Caractéristiques techniques

Lecteurs

PowerVault MD3600f	Jusqu'à 12 disques durs SAS remplaçables à chaud 3,5 pouces (3,0 Gb/s et 6,0 Gb/s)
PowerVault MD3620f	Jusqu'à 24 disques durs SAS remplaçables à chaud 2,5 pouces (3,0 Gb/s et 6,0 Gb/s)

Modules de contrôleur RAID

Les modules de contrôleur RAID	<ul style="list-style-type: none">• Un ou deux modules remplaçables à chaud avec capteurs de température• 2 Go de mémoire cache par contrôleur
--------------------------------	---

Connecteurs du panneau arrière (par module de contrôleur RAID)

Connecteurs FC	Quatre ports d'entrée FC pour connecter des hôtes
Connecteur SAS	Un port de sortie SAS pour l'extension à un boîtier PowerVault MD12xx supplémentaire REMARQUE : le connecteur SAS est compatible SFF-8088.
Connecteur série	Un connecteur mini-DIN à 6 broches REMARQUE : cette option est réservée au personnel de maintenance.

Connecteurs du panneau arrière (par module de contrôleur RAID) (suite)

Connecteur Ethernet de gestion Un port Ethernet 100/1000 Base-T pour une gestion hors bande du boîtier

REMARQUE : les adresses IP de port de gestion par défaut des modules de contrôleur RAID primaire et secondaire sont respectivement 192.168.128.101 et 192.168.128.102. Par défaut, les ports de gestion sont définis sur DHCP. Si le contrôleur ne parvient pas à obtenir une configuration d'adresse IP d'un serveur DHCP au cours d'une période de temps donnée (environ 3 minutes), il utilise par défaut l'adressage IP statique. Pour plus d'informations, voir le *Guide de déploiement*.

Extension

PowerVault Série MD1200 Prend en charge jusqu'à 192 disques durs avec n'importe quelle combinaison de boîtiers d'extension PowerVault MD1200 ou PowerVault MD1220. La prise en charge de 192 disques durs est une fonction premium et doit être activée. Le nombre maximum de disques durs pris en charge sans utiliser la fonction premium est 120. La connectivité à chemin redondant fournit des chemins de données redondants à chaque disque dur.

Carte de fond de panier

Connecteurs

- 12 ou 24 connecteurs de disque dur SAS
- Deux connecteurs pour les modules de ventilation/alimentation
- Deux ensembles de connecteurs de module de contrôleur RAID
- Un connecteur de panneau de commande pour les voyants avant et le bouton d'identification de système

Capteurs Deux capteurs de température

Voyants

Panneau avant	<ul style="list-style-type: none">• Un voyant bicolore indiquant l'état du système• Deux voyants monochromes (alimentation et mode boîtier) <p>REMARQUE : le voyant du mode boîtier ne concerne pas la matrice de stockage PowerVault MD3600f.</p>
Support de disque dur	<ul style="list-style-type: none">• Un voyant d'activité monochrome• Un voyant d'état bichrome par lecteur
Bloc d'alimentation/ventilateur de refroidissement	Trois voyants d'état (état du bloc d'alimentation, panne du bloc d'alimentation/ventilateur et état de l'alimentation)
Module de contrôleur RAID	14 voyants monochromes : <ul style="list-style-type: none">• Un voyant de panne de batterie• Un voyant d'activité de la mémoire cache• Un voyant de panne du contrôleur• Un voyant d'état de l'alimentation de contrôleur• Un voyant système• Un voyant d'activité de gestion Ethernet• Huit liens ou erreurs FC 2 voyants bichromes : <ul style="list-style-type: none">• Un voyant de panne ou de lien de sortie SAS• Un voyant de vitesse de lien Ethernet de gestion

Commutateur

Bouton d'identification du système	Situé sur le panneau de commande avant, ce bouton sert à localiser un système au sein d'un rack.
Sélecteur de mode du boîtier	Situé sur le devant du système, ce sélecteur ne s'applique pas à la matrice de stockage PowerVault MD3600f.
Sélecteur de réinitialisation du mot de passe	Situé sur le panneau arrière du module de contrôleur RAID, ce sélecteur permet de réinitialiser le mot de passe de la matrice de stockage.

Blocs d'alimentation

Alimentation secteur (par bloc d'alimentation)

Puissance	600 W
Tension	100–240 VCA (8,6 A–4,3 A)
Dissipation thermique	100 W
Courant d'appel maximal	Dans des conditions de ligne typiques et dans toute la gamme ambiante de fonctionnement du système, l'appel de courant peut atteindre 55 A par bloc d'alimentation pendant un maximum de 10 ms.

Alimentation disponible pour les disques durs (par logement)

PowerVault MD3600f	25 W
PowerVault MD3620f	12 W

Alimentation du module de contrôleur RAID (par emplacement)

Consommation de courant maximale	100 W
----------------------------------	-------

Caractéristiques physiques

PowerVault MD3600f

Hauteur	8,68 cm (3,41 po.)
Largeur	44,63 cm (17,57 po.)
Profondeur	60,20 cm (23,70 po.)
Poids (configuration maximale)	29,30 kg (64,6 livres)
Poids (vide)	8,84 kg (19,5 livres)

PowerVault MD3620f

Hauteur	8,68 cm (3,41 po.)
Largeur	44,63 cm (17,57 po.)
Profondeur	54,90 cm (21,61 po.)
Poids (configuration maximale)	24,22 kg (53,4 livres)
Poids (vide)	8,61 kg (19 livres)

Environnement

REMARQUE : pour des informations supplémentaires sur les mesures environnementales liées aux différentes configurations du système, voir www.dell.com/environmental_datasheets.

Environnement *(suite)*

Température

En fonctionnement	De 10 à 35 °C (50 à 95 °F) avec un gradient thermique maximal de 10 °C par heure REMARQUE : Pour les altitudes supérieures à 900 mètres (2 950 pieds), la température maximale de fonctionnement est réduite de 0,55 °C (1 °F) tous les 168 mètres (550 pieds).
Entreposage	De -40 à 65 °C (-40 à 149 °F) avec un gradient thermique maximal de 20 °C par heure

Humidité relative

En fonctionnement	De 20 à 80 % (sans condensation) avec un gradient d'humidité maximal de 10 % par heure
Entreposage	De 5 à 95 % (sans condensation)

Tolérance maximale aux vibrations

En fonctionnement	0,25 G avec un balayage de 3 à 200 Hz pendant 15 minutes
Entreposage	0,5 G avec un balayage de 3 à 200 Hz pendant 15 minutes

Choc maximal

En fonctionnement	Une impulsion de choc de 31 G pendant un maximum de 2,6 ms sur l'axe z positif (une impulsion de chaque côté du système)
Entreposage	Six chocs consécutifs de 71 G pendant un maximum de 2 ms en positif et négatif sur les axes x, y et z (une impulsion de chaque côté du système)

Altitude

En fonctionnement	De -16 à 3 048 m (-50 à 10 000 pieds) REMARQUE : pour les altitudes supérieures à 900 mètres (2 950 pieds), la température maximale de fonctionnement est réduite de 0,55 °C (1 °F) tous les 168 mètres (550 pieds).
Entreposage	De -16 à 10 600 m (-50 à 35 000 pieds)

Contaminants en suspension dans l'air

Classe	G1 selon la norme ISA-S71.04-1985
--------	-----------------------------------

Matrizes de armazenamento
Dell PowerVault
MD3600f e MD3620f

**Introdução ao uso
do sistema**



Notas, Avisos e Advertências



NOTA: uma NOTA fornece informações importantes para ajudar você a usar melhor os recursos do computador.



AVISO: um AVISO indica um potencial de danos ao hardware ou a perda de dados se as instruções não forem seguidas.



ADVERTÊNCIA: uma ADVERTÊNCIA indica um potencial de danos à propriedade, risco de lesões corporais ou mesmo de risco de vida.

As informações contidas nesta publicação estão sujeitas a alterações sem aviso prévio.

© 2011 Dell Inc. Todos os direitos reservados.

É terminantemente proibida qualquer forma de reprodução destes materiais sem a permissão por escrito da Dell Inc.

Marcas comerciais usadas neste texto: Dell™, o logotipo DELL e PowerVault™ são marcas comerciais da Dell Inc.; Microsoft® e Windows Server® são marcas comerciais ou marcas registradas da Microsoft Corporation nos Estados Unidos e em outros países. Red Hat® e Red Hat Enterprise Linux® são marcas registradas da Red Hat, Inc. nos Estados Unidos e em outros países. SUSE® é marca registrada da Novell, Inc. nos Estados Unidos e em outros países. VMware® é marca registrada da VMware, Inc. nos Estados Unidos e/ou outras jurisdições.

Outras marcas e nomes comerciais podem ser usados nesta publicação como referência às entidades que reivindicam essas marcas e nomes ou a seus produtos. A Dell Inc. declara que não tem interesse de propriedade sobre marcas comerciais e nomes de terceiros.

Modelo de normalização séries E03J e E04J

Agosto de 2011

N/P 1K67M

Rev. A02

Antes de começar



NOTA: Neste documento, a matriz de armazenamento Dell PowerVault série MD3600f se refere tanto à matriz Dell PowerVault MD3600f quanto à matriz Dell PowerVault MD3620f. O gabinete de expansão Dell PowerVault série MD1200 se refere tanto ao Dell PowerVault MD1200 quanto ao Dell PowerVault MD1220.

Antes de configurar a matriz de armazenamento PowerVault MD3600f, você precisa considerar certas práticas recomendadas que garantem que a sua matriz de armazenamento funcione com a máxima eficiência e ofereça redundância total (se necessário).

- Para ativar a redundância, você precisa conectar dois adaptadores de barramento de host (HBAs - host bus adapters) de canal de fibra entre o sistema host e a matriz de armazenamento. Se a redundância não for necessária, apenas um HBA de canal de fibra é conectado à matriz de armazenamento. Consulte *Matriz de suporte* para ver a lista dos HBAs suportados e consulte *Configurar canal de fibra com a matriz de armazenamento Dell série MD3600f* para obter informações sobre a instalação de drivers de HBA. Você pode fazer o download dos dois documentos do site support.dell.com/manuals.
- Antes de conectar quaisquer cabos entre o servidor host e a matriz de armazenamento, coloque uma etiqueta em cada porta e em cada conector.
- Siga sempre os procedimentos adequados para fazer o “power cycle” (desligar e religar em seguida) de dispositivos da rede. Você precisa garantir também que os componentes críticos da rede estejam em circuitos de alimentação separados.

Trabalhar com módulos SFP e cabos de fibra ótica



NOTA: Módulos SFP+ são suportados para conexões de canal de fibra de 8 GB. Este documento se refere a SFP genericamente.

Cada controlador de armazenamento pode ter até quatro portas de canal de fibra para host. Um módulo plugável de fator de forma pequeno (SFP - small-form-factor pluggable) é usado para conectar uma porta de host a um host ou a um comutador. O módulo SFP é inserido na porta e então um cabo de fibra ótica é inserido no módulo SFP. A outra extremidade do cabo de fibra ótica é conectada a um conector de interface ótica de um HBA de canal de fibra em um host ou em um comutador. Os módulos SFP são produtos laser.



ADVERTÊNCIA: Os ambientes de processamento de dados podem conter equipamentos que transmitem dados para links de sistemas com módulos laser que funcionam em níveis de energia maiores que os da Classe 1. Nunca olhe diretamente para a extremidade de um cabo de fibra ótica nem para um receptáculo aberto.

Diretrizes para uso de cabos de fibra ótica

- Não passe o cabo por dispositivos de gerenciamento de cabos que fazem dobras nos cabos.
- Para dispositivos em trilhos de deslizamento, deixe folga suficiente nos cabos para que eles não sofram dobras com diâmetros menores que 75 mm (3"), ou raios menores que 38 mm (1,5"), quando estendidos ou quando retraídos.
- Roteie o cabo evitando lugares onde ele possa ser danificado por outros dispositivos do gabinete.
- Não use amarras plásticas no lugar dos prendedores de cabos fornecidos.
- Não aperte demais os prendedores de cabos nem faça dobras nos cabos com diâmetros menores que 76 mm (3") ou raios menores que 38 mm (1,5").
- Não coloque peso excessivo no ponto de conexão do cabo. Verifique que o cabo esteja bem apoiado.

Diretrizes para uso de módulos SFP

A matriz de armazenamento usa módulos SFP. Os módulos SFP convertem sinais elétricos em sinais óticos, que são necessários para comunicação por canal de fibra com os módulos controladores de RAID. Após a instalação dos módulos SFP, os cabos de fibra ótica são usados para conectar a matriz de armazenamento a outros dispositivos de canal de fibra. Antes de instalar os módulos SFP e os cabos de fibra ótica, leia as seguintes informações:

- Use apenas SFPs suportados pela Dell com as matrizes de armazenamento PowerVault série MD3600f. Outros SFPs genéricos não são suportados e poderão não funcionar com as matrizes de armazenamento.
- A caixa do módulo SFP tem um formato especial para impedir que o módulo seja inserido incorretamente.
- Use pressão mínima para inserir o módulo SFP na porta de canal de fibra. Se você forçar a inserção, o módulo e/ou a porta podem ser danificados.
- Você pode inserir ou remover o módulo SFP com a porta alimentada.
- O módulo SFP precisa ser instalado na porta antes da conexão do cabo de fibra ótica.
- Você precisa remover o cabo do módulo antes de remover o módulo da porta.



ADVERTÊNCIA: Ao manusear dispositivos sensíveis a estática, tome todas as precauções para evitar danos causados por descargas eletrostáticas aos produtos.

Outros documentos e mídias dos quais você pode precisar



ADVERTÊNCIA: Consulte as informações de normalização e segurança fornecidas com o sistema. As informações de garantia podem estar neste documento ou podem ser fornecidas como um documento separado.



NOTA: Todos os documentos do PowerVault série MD3600f estão disponíveis em support.dell.com/manuals.

- A documentação fornecida com o rack contém o procedimento de instalação do sistema no rack.
- O *Manual do proprietário* fornece informações sobre os recursos do sistema e descreve como solucionar problemas do sistema e como instalar ou trocar componentes.
- O *Guia de implementação* fornece informações sobre a instalação e a configuração do software e do hardware.
- O *Guia da Interface de Linha de Comando (CLI)* fornece informações sobre o uso da interface de linha de comando para configurar e gerenciar a matriz de armazenamento.
- O *Guia do programador de SMI-S* fornece informações sobre o uso do provedor de SMI-S e sobre a programação de SMI-S.
- Qualquer mídia que acompanha o sistema e que contém documentação e ferramentas para a configuração e o gerenciamento do sistema, incluindo aquelas relacionadas ao sistema operacional, software de gerenciamento do sistema, atualizações do sistema e componentes adquiridos com o sistema.



NOTA: Verifique sempre se há atualizações disponíveis no site support.dell.com/manuals (em inglês) e leia primeiro as atualizações, pois estas geralmente substituem informações contidas em outros documentos.

Sistemas operacionais suportados

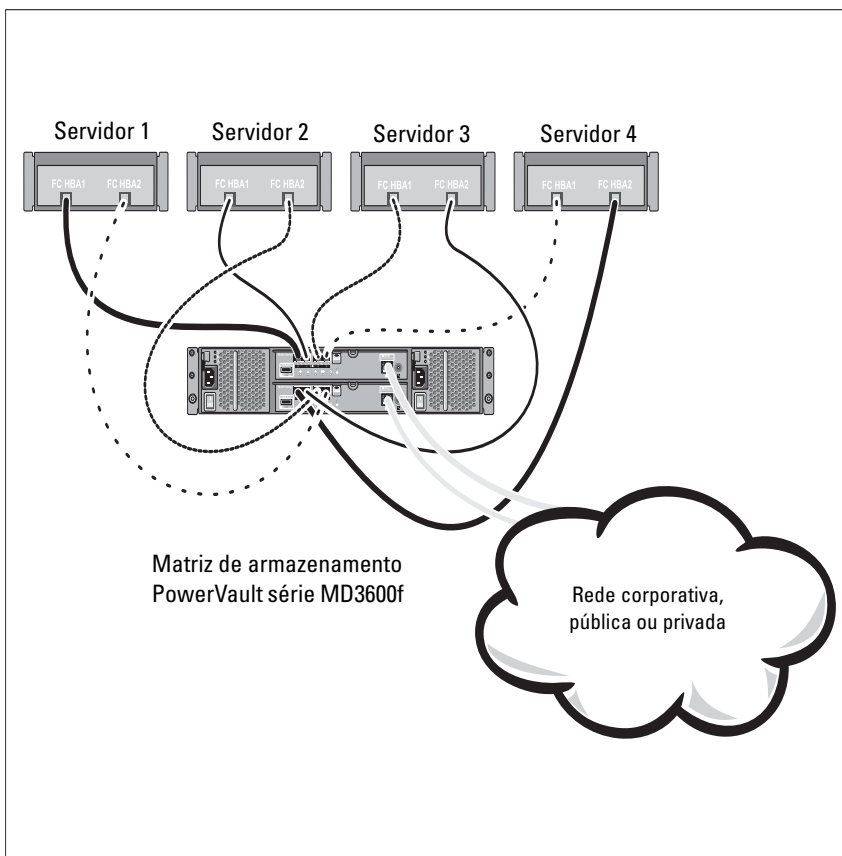
- Microsoft Windows Server
- Red Hat Enterprise Linux
- SUSE Linux Enterprise Server
- VMware



NOTA: Para obter as informações mais recentes sobre todas as versões de sistemas operacionais suportadas, consulte Support Matrix (*Matriz de suporte*) no site support.dell.com/manuals.

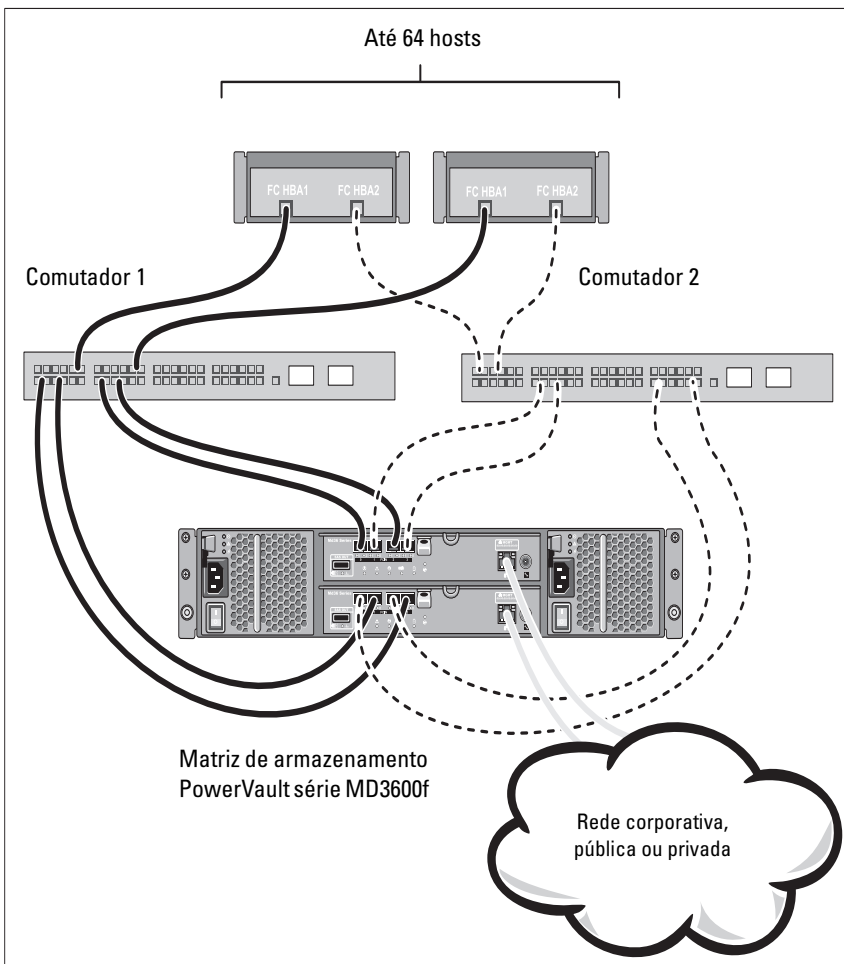
Configurações comuns

Cabeamento de hosts conectados diretamente




Cabeamento de hosts conectados à SAN

A figura abaixo mostra um sistema redundante. Por exemplo, um sistema usado em um ambiente de replicação remota.



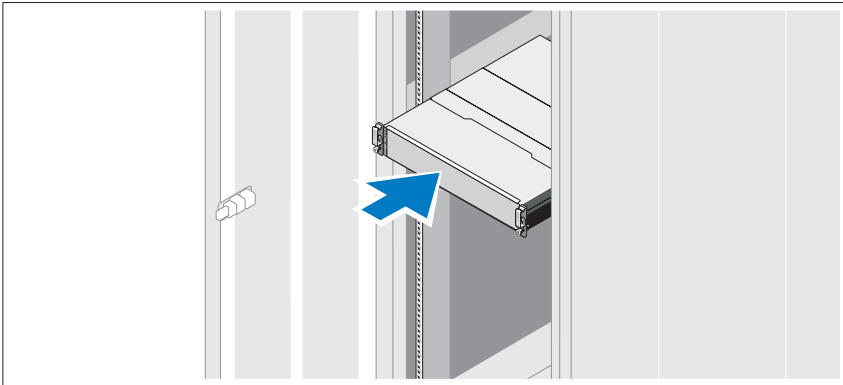
Instalação e configuração

 **ADVERTÊNCIA:** Antes de executar o procedimento abaixo, siga as instruções de segurança fornecidas com o sistema.


Remover o sistema da embalagem

Desembale o sistema e identifique cada item de acordo com a lista fornecida.

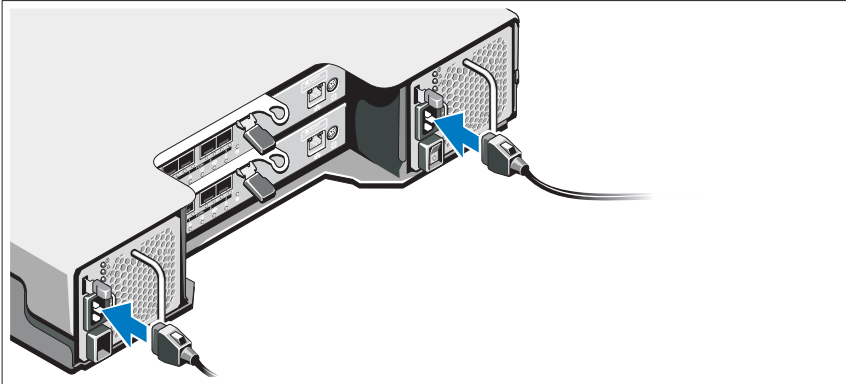
Instalar os trilhos e o sistema no rack



Monte os trilhos e instale o sistema no rack, seguindo as instruções de segurança e as instruções de instalação fornecidas com o sistema.

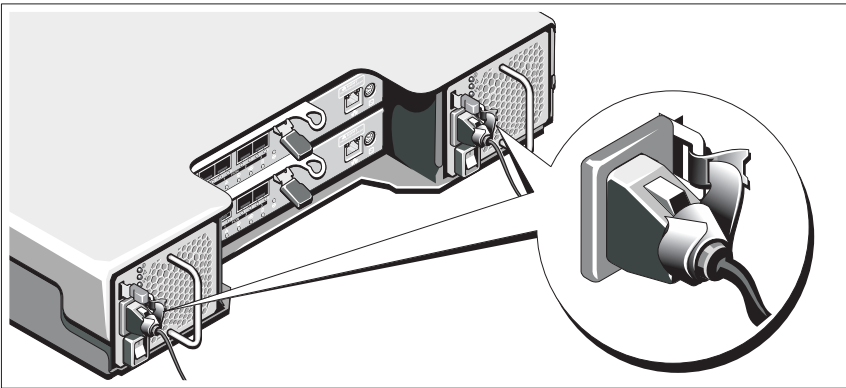
 **NOTA:** Para contrabalançar o peso, é recomendável que você instale a matriz de armazenamento PowerVault série MD3600f na parte inferior do rack e os gabinetes de expansão PowerVault série MD1200 acima dela.

Conectar o(s) cabo(s) de alimentação



Verifique se a chave está na posição “desligada” (OFF), antes de conectar os cabos de alimentação. Conecte o(s) cabos de alimentação ao sistema.

Prender o(s) cabo(s) de alimentação



Prenda firmemente os cabos ao gancho usando a tira fornecida.


Conecte a outra extremidade do(s) cabo(s) de alimentação a uma tomada elétrica aterrada ou a uma fonte de alimentação separada, por exemplo, uma UPS (Uninterruptible Power Supply [fonte de alimentação ininterrupta]) ou uma PDU (Power Distribution Unit [unidade de distribuição de energia]). Cada fonte de alimentação precisa ser conectada a um circuito de alimentação separado.

Instalar e remover módulos SFP


Para instalar módulos SFP:

- 1 Se as portas de entrada de canal de fibra tiverem módulos SFP conectados, vá para etapa 5.
- 2 Remova o módulo SFP da embalagem antiestática.
- 3 Remova a tampa protetora do módulo SFP e da porta SFP. Guarde as tampas protetoras para uso futuro.
- 4 Insira o módulo SFP na porta do host, de modo que ele se encaixe com um clique.
- 5 Conecte o cabo de canal de fibra. Consulte “Instalar e remover cabos de canal de fibra” na página 50.

Para remover módulos SFP:

- 1 Remova o cabo de canal de fibra do módulo SFP. Consulte “Instalar e remover cabos de canal de fibra” na página 50.
 **NOTA:** Para evitar danos ao cabo ou ao módulo SFP, desconecte o cabo de canal de fibra antes de remover o módulo SFP.
- 2 Abra o fecho do módulo SFP. Para os módulos SFP que têm travas de fio, abra o fecho, puxando a aba para fora em um ângulo de 90°.
- 3 Com a trava do módulo SFP na posição aberta, remova o módulo SFP. Segure a trava do fio e puxe o módulo SFP para fora da porta.
- 4 Recoloque a tampa protetora no módulo SFP e na porta do host.
- 5 Coloque o módulo SFP em uma embalagem antiestática.

Instalar e remover cabos de canal de fibra

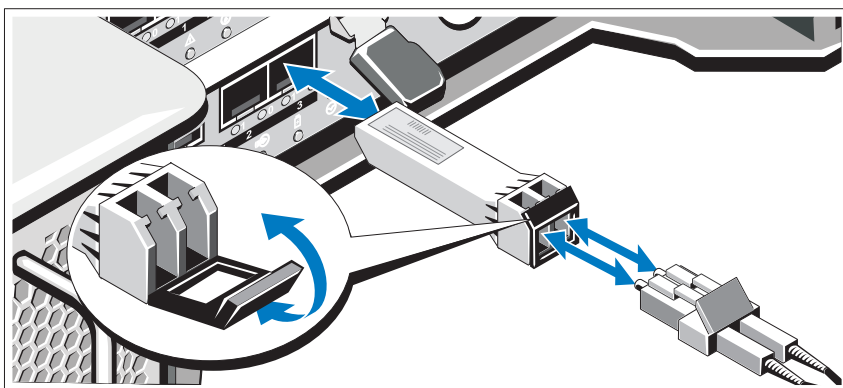
 **ADVERTÊNCIA:** Os ambientes de processamento de dados podem conter equipamentos que transmitem dados para links de sistemas com módulos laser que funcionam em níveis de energia maiores que os da Classe 1. Nunca olhe diretamente para a extremidade de um cabo de fibra ótica nem para um receptáculo aberto.

Antes de instalar um cabo de canal de fibra, consulte “Diretrizes para uso de cabos de fibra ótica” na página 44.

Para instalar um cabo de canal de fibra:

- 1 Se for o caso, remova a tampa protetora do módulo SFP e guarde-a para uso futuro.
- 2 Remova as duas tampas protetoras de uma das extremidades do cabo e guarde-as para uso futuro.

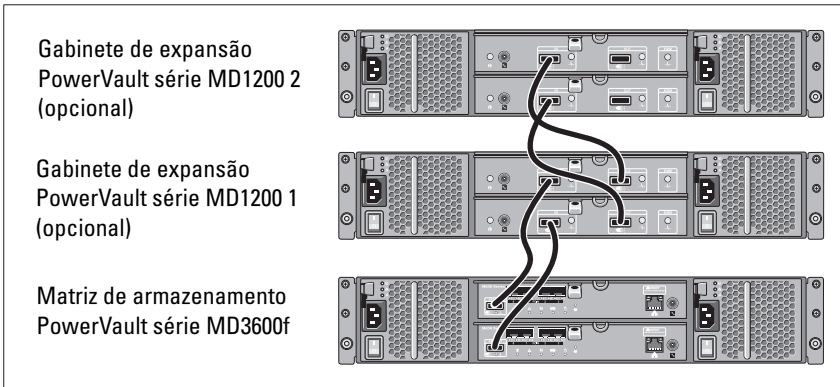
- 3** Insira o cabo em um módulo SFP instalado na matriz de armazenamento. O conector do cabo tem um formato especial para garantir a inserção correta. Segurando o conector, empurre o cabo até que ele se encaixe no lugar com um clique.
- 4** Remova as duas tampas protetoras da outra extremidade do cabo e guarde-as para uso futuro.
- 5** Conecte esta extremidade do cabo a um dos seguintes dispositivos:
 - Um módulo SFP instalado em uma porta de canal de fibra de um comutador
 - Uma porta de canal de fibra de uma HBA



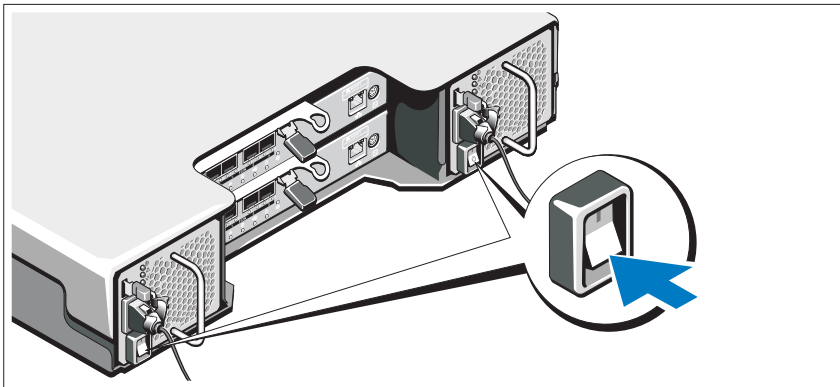
Para remover um cabo de canal de fibra:

- 1** Pressione e mantenha pressionada a alavanca para soltar as travas antes de remover o cabo do módulo SFP. As alavancas precisam estar na posição liberada durante a remoção do cabo. Não segure o módulo SFP pela aba plástica durante a remoção do cabo.
- 2** Na extremidade do cabo que é conectada ao módulo SFP ou HBA, pressione para baixo e segure a alavanca para soltar as travas.
- 3** Pressionando a alavanca do cabo para baixo, puxe o conector para remover o cabo do módulo SFP.
- 4** Recoloque as tampas protetoras nas extremidades do cabo.
- 5** Recoloque a tampa protetora no módulo SFP.

Cabeamento do gabinete de expansão




Ligar a matriz de armazenamento




Ligue os componentes na seguinte ordem:

- 1 Comutadores de canal de fibra (se estiverem sendo usados)
- 2 Gabinetes de expansão série MD1200 (se estiverem sendo usados)

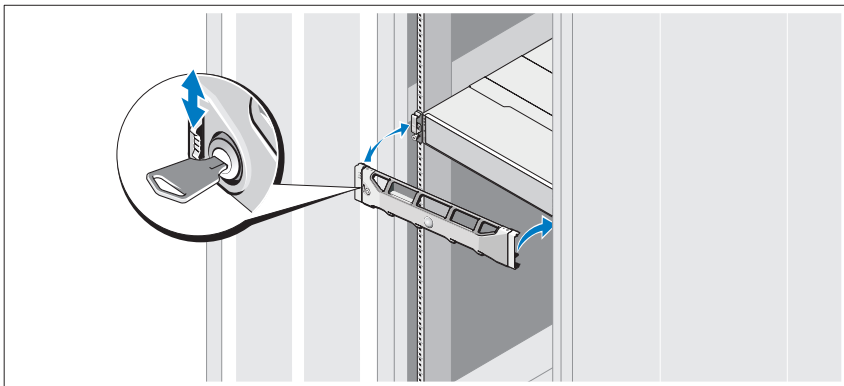
 **NOTA:** Antes de ligar a matriz de armazenamento, verifique se o LED de status do gabinete de expansão está azul.

3 Matriz de armazenamento série MD3600f

 **NOTA:** Antes de ligar o(s) servidor(es) host, verifique se o LED de status da matriz de armazenamento está azul.


4 Servidor(es) host

Instalar o bezel




Instale o bezel (opcional).

Instalar HBAs e drivers

 **NOTA:** Leia o documento *Configurar o canal de fibra com a matriz de armazenamento Dell série MD3600f* antes de continuar com este procedimento. Para obter instruções detalhadas sobre a instalação do software de armazenamento MD, a configuração do gabinete e as tarefas de pós-instalação, consulte o *guia de implementação*.

- 1 Instale fisicamente os HBAs.
- 2 Conecte os cabos.
- 3 Instale os drivers de HBA e os patches e/ou hotfixes do HBA para o sistema operacional.
- 4 Aplique as configurações recomendadas para o HBA.


Instalar o software de armazenamento MD

 **NOTA:** Para obter instruções detalhadas sobre a instalação do software de armazenamento MD, a configuração do gabinete e as tarefas de pós-instalação, consulte o *guia de implementação*.

O aplicativo MD Storage Manager (gerenciamento de armazenamento MD) configura, gerencia e monitora a matriz de armazenamento. Para instalar o software de armazenamento MD:

- 1 Insira a mídia de recursos da série MD.

Dependendo do seu sistema operacional, o instalador pode ser aberto automaticamente. Se o instalador não abrir automaticamente, vá até o diretório raiz da mídia de instalação (ou da imagem baixada do instalador) e execute o arquivo `md_launcher.exe`. Nos sistemas Linux, navegue até a raiz da mídia de recursos e execute o arquivo `autorun`.


 **NOTA:** Por padrão, o sistema operacional Red Hat Enterprise Linux monta a mídia de recursos com a opção `–noexec mount`, a qual não permite rodar arquivos executáveis. Para mudar esta configuração, consulte o arquivo `Readme` que está no diretório raiz da mídia de instalação.

- 2 Selecione **Install MD Storage Software**.
- 3 Leia e aceite o contrato de licença.
- 4 Selecione uma das seguintes opções de instalação no menu suspenso **Install Set** :
 - **Full (recommended)** (Completa (recomendável)) — Instala o software cliente do Gerenciador de armazenamento MD (MD Storage Manager (client)), o agente de armazenamento baseado no host, o driver de multi-caminho e os provedores de hardware.
 - **Host Only** (Apenas host) — Instala o agente de armazenamento baseado em host e os drivers de multi-caminhos.
 - **Management** (Gerenciamento) — Instala o software de gerenciamento e os provedores de hardware.
 - **Custom** (Personalizada) — Permite que você selecione componentes específicos.
- 5 Selecione o(s) modelo(s) de matriz de armazenamento MD que você está configurando como armazenamento de dados para este servidor host.
- 6 Indique se você quer começar a monitoração de eventos automaticamente quando o servidor é reinicializado ou manualmente.


 **NOTA:** Esta opção só se aplica à instalação de software de cliente Windows.

- 7 Confirme o local de instalação e clique em **Install**.

- 8 Se for solicitado, reinicialize o servidor quando a instalação terminar.
- 9 Abra o aplicativo **MD Storage Manager** (gerenciador de armazenamento MD) e faça a descoberta da(s) matriz(es).

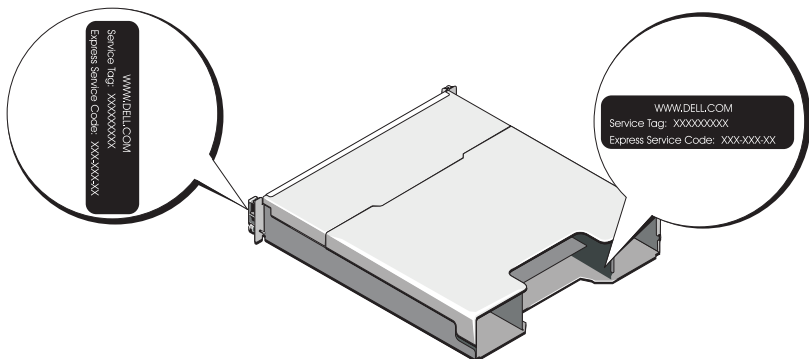
 **NOTA:** Se não estiver sendo usado o DHCP (Dynamic Host Configuration Protocol) na rede à qual as portas de gerenciamento da matriz de armazenamento MD estão conectadas, é recomendável que você ative o IPv6 na estação de gerenciamento para descobrir a(s) matriz(es) de armazenamento.

- 10 Configure o iniciador único e o zoneamento de múltiplos alvos nos comutadores de canal de fibra. Para obter informações sobre zoneamento, consulte o *guia de implementação*.
- 11 Se for o caso, ative todos os recursos Premium comprados com a sua matriz de armazenamento. Se for o caso, consulte o cartão impresso de ativação que é fornecido com a sua matriz de armazenamento.

 **NOTA:** O instalador do **MD Storage Manager** (gerenciador de armazenamento MD) instala automaticamente os drivers, o firmware e os patches do sistema operacional necessários para operar a matriz de armazenamento. Estes drivers e firmware estão também disponíveis em support.dell.com. Além disso, consulte *Support Matrix* (Matriz de suporte) em support.dell.com/manuals para obter configurações e/ou software adicionais necessários para a sua matriz de armazenamento específica.

Localizar a etiqueta de serviço

O seu sistema é identificado por um número exclusivo de código de serviço expresso e de etiqueta de serviço. O código de serviço expresso (Express Service Code) e a etiqueta de serviço (Service Tag) estão localizados na parte frontal e na parte traseira do sistema, próximos aos módulos controladores de RAID. Estas informações são usadas pela Dell para dirigir as chamadas que são feitas ao serviço de suporte para o pessoal adequado.



Informações da norma NOM (apenas para o México)

As informações a seguir são fornecidas sobre o dispositivo descrito neste documento em conformidade com os requisitos das normas oficiais mexicanas (NOM):

Importador:	Dell Inc. de México, S.A. de C.V. Paseo de la Reforma 2620 -11º Piso Col. Lomas Altas 11950 México, D.F.
Número do modelo:	E03J e E04J
Tensão de alimentação:	100 a 240 VCA
Frequência:	50/60 Hz
Consumo de corrente:	8,6 A

Especificações técnicas

Unidades

PowerVault MD3600f	Até 12 discos rígidos SAS de 3,5 polegadas (3,0 Gbps e 6,0 Gbps) com troca a quente (“hot swappable”)
PowerVault MD3620f	Até 24 discos rígidos SAS de 2,5 polegadas (3,0 Gbps e 6,0 Gbps) com troca a quente (“hot-swappable”)

Módulos controladores de RAID

Módulos controladores de RAID	<ul style="list-style-type: none">• Um ou dois módulos com troca a quente (“hot-swappable”) com sensores de temperatura• 2 GB de cache por controlador
-------------------------------	---

Conectores do painel traseiro (por módulo controlador de RAID)

Conectores de canal de fibra	Quatro portas de entrada de canal de fibra para conectar hosts
Conector SAS	Uma porta de saída SAS para conexão (expansão) de um gabinete PowerVault MD12xx adicional. NOTA: O conector SAS está em conformidade com SFF-8088.
Conector serial	Um conector mini-DIN de 6 pinos NOTA: Para uso exclusivo pelo suporte técnico.

Conectores do painel traseiro (por módulo controlador de RAID) *(continuação)*

Conector Ethernet de gerenciamento

Uma porta Ethernet 100/1000 Base-T para gerenciamento fora da banda do gabinete

NOTA: Os endereços IP padrão das portas de gerenciamento dos módulos controladores de RAID primário e secundário são 192.168.128.101 e 192.168.128.102, respectivamente. Por padrão, as portas de gerenciamento são configuradas para DHCP. Se o controlador não conseguir obter um endereço IP a partir de um servidor DHCP dentro de um tempo especificado (cerca de 3 minutos), ele volta a usar o padrão, isto é, endereçamento IP estático. Para obter mais informações, consulte o *guia de implementação*.

Expansão

PowerVault série MD1200

Suporta um máximo de 192 discos rígidos com qualquer combinação de gabinetes de expansão PowerVault MD1200 ou PowerVault MD1220. O suporte para 192 discos rígidos é um recurso Premium e precisa ser ativado. O número máximo de discos rígidos suportados sem o uso de recursos Premium é 120.

A conectividade de caminho redundante fornece caminhos redundantes de dados para cada disco rígido.

Placa backplane

Conectores

- 12 ou 24 conectores para discos rígidos SAS
- Dois conectores para módulos de fonte de alimentação ou ventiladores de resfriamento
- Dois conjuntos de conectores para módulo de controlador de RAID
- Um conector no painel de controle para os LEDs frontais e para o botão de identificação do sistema

Sensores

Dois sensores de temperatura

Indicadores de LED

Painel frontal	<ul style="list-style-type: none">• Um LED de duas cores para indicação do status do sistema• Dois LEDs de cor única para indicação de alimentação e de modo do gabinete. <p>NOTA: O LED de modo do gabinete não é aplicável à matriz de armazenamento PowerVault série MD3600f .</p>
Apoio do disco rígido	<ul style="list-style-type: none">• Um LED de cor única para atividade.• Um LED de duas cores para indicação de status, por unidade.
Fonte de alimentação ou ventilador de resfriamento	Três LEDs para indicar: o status da fonte de alimentação, falha da fonte alimentação ou do ventilador e o status da alimentação CA
Módulo controlador de RAID	14 LEDs de cor única: <ul style="list-style-type: none">• Um para falha da bateria• Um para atividade de cache• Um para falha do controlador• Um para alimentação do controlador• Um para identificação do sistema• Um para atividade da Ethernet de gerenciamento• Oito para falha ou link de canal de fibra 2 LEDs de duas cores: <ul style="list-style-type: none">• Um para falha ou link de saída SAS• Um para velocidade do link Ethernet de gerenciamento

Chave

Botão de identificação do sistema	Localizado no painel de controle frontal. Este botão é usado para localizar um sistema dentro de um rack.
Chave de modo do gabinete	Localizada na parte frontal do sistema. Esta chave não é aplicável à matriz de armazenamento PowerVault série MD3600f.
Chave de redefinição da senha	Localizada no painel traseiro do módulo controlador de RAID. Esta chave é usada para redefinir a senha da matriz de armazenamento.

Fontes de alimentação

Fonte de alimentação CA (por fonte de alimentação)

Potência	600 W
Tensão	100 a 240 VAC (8,6 A a 4,3 A)
Dissipação de calor	100 W
Pico de corrente inicial máximo	Sob condições de linha típicas e na faixa inteira de temperatura ambiente de funcionamento do sistema, o pico de corrente inicial (“inrush”) pode atingir um máximo de 55 A por fonte de alimentação por 10 ms ou menos.

Potência disponível para o disco rígido (por slot)

PowerVault MD3600f	25 W
PowerVault MD3620f	12 W

Potência do módulo controlador de RAID (por slot)

Consumo máximo de potência 100 W

Características físicas

PowerVault MD3600f

Altura	8,68 cm
Largura	44,63 cm
Profundidade	60,20 cm
Peso (com a configuração máxima)	29,30 kg
Peso (em vazio)	8,84 kg

PowerVault MD3620f

Altura	8,68 cm
Largura	44,63 cm
Profundidade	54,90 cm
Peso (com a configuração máxima)	24,22 kg
Peso (em vazio)	8,61 kg

Requisitos ambientais

NOTA: Para obter informações adicionais sobre os requisitos ambientais para configurações específicas do sistema, visite o site www.dell.com/environmental_datasheets (em inglês).

Temperatura

De operação 10°C a 35°C com variação máxima de 10°C por hora

NOTA: Para altitudes acima de 900 metros, a temperatura máxima de operação diminui à razão de 1°C / 300 m

De armazenamento -40°C a 65°C com variação máxima de temperatura de 20°C por hora

Umidade relativa

De operação 20% a 80% (sem condensação) com variação de umidade máxima de 10% por hora

De armazenamento 5% a 95% (sem condensação)

Vibração máxima

De operação 0,25 g em 3 a 200 Hz por 15 minutos

De armazenamento 0,5 g em 3 a 200 Hz por 15 minutos

Choque máximo

De operação Um pulso de choque no eixo z positivo (um pulso em cada lado do sistema) de 31 g por 2,6 ms na orientação operacional

De armazenamento Seis pulsos de choque aplicados consecutivamente nos eixos x, y e z positivos e negativos (um pulso de cada lado do sistema) de 71 g por até 2 ms

Altitude

De operação -16 m a 3.048 m

NOTA: Para altitudes acima de 900 metros, a temperatura máxima de operação diminui à razão de 1°C / 300 m

De armazenamento -16 m a 10.600 m

Nível de poluentes transportados pelo ar

Classe G1 conforme definido pela norma ISA-S71.04-1985

Matrices de almacenamiento
Dell PowerVault
MD3600f y MD3620f
Introducción al sistema

Modelo reglamentario, series E03J y E04J



Notas, precauciones y avisos



NOTA: una NOTA proporciona información importante que le ayudará a utilizar mejor el equipo.



PRECAUCIÓN: un mensaje de PRECAUCIÓN indica la posibilidad de que se produzcan daños en el hardware o haya pérdida de datos si no se siguen las instrucciones.



AVISO: un mensaje de AVISO indica la posibilidad de que se produzcan daños materiales, lesiones personales o la muerte.

La información contenida en esta publicación puede modificarse sin previo aviso.

© 2011 Dell Inc. Todos los derechos reservados.

Queda estrictamente prohibida la reproducción de estos materiales en cualquier forma sin la autorización por escrito de Dell Inc.

Marcas comerciales utilizadas en este texto: Dell™, el logotipo de DELL y PowerVault™ son marcas comerciales de Dell Inc. Microsoft® y Windows Server® son marcas comerciales o marcas comerciales registradas de Microsoft Corporation en Estados Unidos y/o en otros países. Red Hat® y Red Hat Enterprise Linux® son marcas comerciales registradas de Red Hat, Inc. en los Estados Unidos y en otros países. SUSE® es una marca comercial registrada de Novell, Inc. en los Estados Unidos y en otros países. VMware® es una marca comercial registrada de VMware, Inc. en los Estados Unidos y/o en otras jurisdicciones.

Otras marcas y otros nombres comerciales pueden utilizarse en esta publicación para hacer referencia a las entidades que los poseen o a sus productos. Dell Inc. renuncia a cualquier interés sobre la propiedad de marcas y nombres comerciales que no sean los suyos.

Modelo reglamentario, series E03J y E04J

08/2011 N/P 1K67M Rev. A02

Antes de comenzar



NOTA: a lo largo del documento, la matriz de almacenamiento de la serie Dell PowerVault MD3600f hace referencia a Dell PowerVault MD3600f y a Dell PowerVault MD3620f. El gabinete de expansión de la serie Dell PowerVault MD1200 se refiere a Dell PowerVault MD1200 y Dell PowerVault MD1220.

Antes de configurar la matriz de almacenamiento de la serie PowerVault MD3600f, debe tener en cuenta una serie de prácticas recomendadas para garantizar que la matriz de almacenamiento funcione a un rendimiento máximo y ofrezca completa redundancia (si es necesario).

- Para activar la redundancia, se deben conectar dos Adaptadores de bus host (HBA) Fibre Channel (FC) del sistema host a la matriz de almacenamiento. Si la redundancia no es un requisito, solamente se conecta un adaptador HBA FC a la matriz de almacenamiento. Consulte el documento *Matriz de compatibilidad* para obtener una lista de los adaptadores HBA compatibles y el documento *Configuring Fibre Channel With the Dell MD3600f Series Storage Array* (Configuración de Fibre Channel con la matriz de almacenamiento de la serie Dell MD3600f) para obtener más información sobre la instalación de controladores HBA. Puede descargar ambos documentos de la página support.dell.com/manuals.
- Antes de conectar cables entre el servidor host y la matriz de almacenamiento, etiquete físicamente todos los puertos y conectores.
- Durante los ciclos de encendido de la red, siga siempre los procedimientos adecuados de encendido y apagado. Asegúrese también de que los componentes de red críticos se encuentren en circuitos de alimentación diferentes.

Cómo trabajar con módulos SFP y cables de fibra óptica



NOTA: los módulos SFP+ admiten conexiones Fibre Channel de 8 GB. Este documento se refiere genéricamente a SFP.

Cada controladora de almacenamiento puede tener hasta cuatro puertos host FC. Para conectar un puerto host a un host o conmutador se utiliza un módulo conectable de formato reducido (SFP). Se introduce el módulo SFP en el puerto y, a continuación, se introduce un cable de fibra óptica en el módulo SFP. El otro extremo del cable de fibra óptica se conecta a un conector de interfaz óptica en un HBA FC de un host o un conmutador. Los módulos SFP son productos láser.



AVISO: los entornos de procesamiento de datos pueden contener equipos que transmiten en enlaces de sistema con módulos láser que operan a niveles de alimentación superiores a los de la Clase 1. Nunca mire el extremo de un cable de fibra óptica o receptáculo abierto.

Pautas generales para el uso de cables de fibra óptica

- No enrute el cable por un brazo de administración de cables doblado.
- Para dispositivos en rieles deslizantes, deje suficiente margen como para que los cables no se doblen un diámetro inferior a 76 mm (3 pulgadas), o un radio inferior a 38 mm (1,5 pulgadas), al quedar extendidos o quedar apretados al retraerse.
- Enrute los cables por lugares donde se encuentren separados de otros dispositivos en el gabinete de bastidor que puedan dañarlos.
- No utilice enganches de plástico para cables en lugar de las cintas para cable que se proporcionan.
- No apriete excesivamente las cintas para cable o doble los cables un diámetro inferior a 76 mm (3 pulgadas) o un radio inferior a 38 mm (1,5 pulgadas).
- No sobrecargue de peso el cable en el punto de conexión. Asegúrese de que el cable se encuentre bien agarrado.

Pautas generales para el uso de módulos SFP

La matriz de almacenamiento requiere módulos SFP. Los módulos SFP convierten señales eléctricas en señales ópticas que son las necesarias para la transmisión FC a y desde los módulos de la controladora RAID. Una vez que los módulos SFP han sido instalados, se utilizan cables de fibra óptica para conectar la matriz de almacenamiento a los otros dispositivos FC. Antes de instalar los módulos SFP y los cables de fibra óptica, lea la siguiente información:

- Utilice solamente módulos SFP compatibles con Dell con las matrices de almacenamiento de la serie PowerVault MD3600f. No son compatibles otros módulos SFP genéricos y puede que no funcione con la matriz de almacenamiento.
- La cubierta del módulo SFP contiene una llave guía integral diseñada para evitar la introducción del módulo SFP incorrectamente.

- Ejerza la mínima presión al introducir el módulo SFP en el puerto FC. Forzar la introducción del módulo SFP en un puerto podría dañar el mismo módulo o el puerto.
- Puede instalar o sacar el módulo SFP mientras el puerto está encendido.
- Debe instalar el módulo SFP en un puerto antes de conectar el cable de fibra óptica.
- Debe quitar el cable de fibra óptica del módulo SFP antes de sacar este módulo del puerto.



PRECAUCIÓN: cuando se encuentre trabajando con dispositivos sensibles a la estática, tome las precauciones necesarias para no dañar el producto por electricidad estática.

Documentación y soportes adicionales útiles



AVISO: consulte la información sobre normativas y seguridad suministrada con el sistema. La información sobre la garantía puede estar incluida en este documento o en un documento aparte.



NOTA: todos los documentos de la serie PowerVault MD3600f están disponibles en support.dell.com/manuals.

- En la documentación del bastidor incluida con la solución de bastidor se describe cómo instalar el sistema en un bastidor.
- En el *Manual del propietario* se proporciona información acerca de las funciones del sistema y se describe cómo solucionar problemas del sistema e instalar o sustituir componentes.
- En la *Guía de implementación* se proporciona información acerca de la instalación y configuración del software y hardware.
- En la *Guía CLI* se proporciona información acerca de cómo utilizar la Interfaz de línea de comandos (CLI) para configurar y administrar la matriz de almacenamiento.
- La *SMI-S Programmer's Guide* (Guía de los programadores de SMI-S) proporciona información acerca del uso del proveedor de SMI-S y la programación de SMI-S.

- En los soportes suministrados con el sistema se incluyen documentación y herramientas para configurar y administrar el sistema, incluidas las del sistema operativo, el software de administración del sistema, las actualizaciones del sistema y los componentes del sistema que haya adquirido con el sistema.



NOTA: compruebe si hay actualizaciones en support.dell.com/manuals y, si las hay, léalas antes de proceder a la instalación, puesto que a menudo sustituyen la información contenida en otros documentos.

Sistemas operativos admitidos

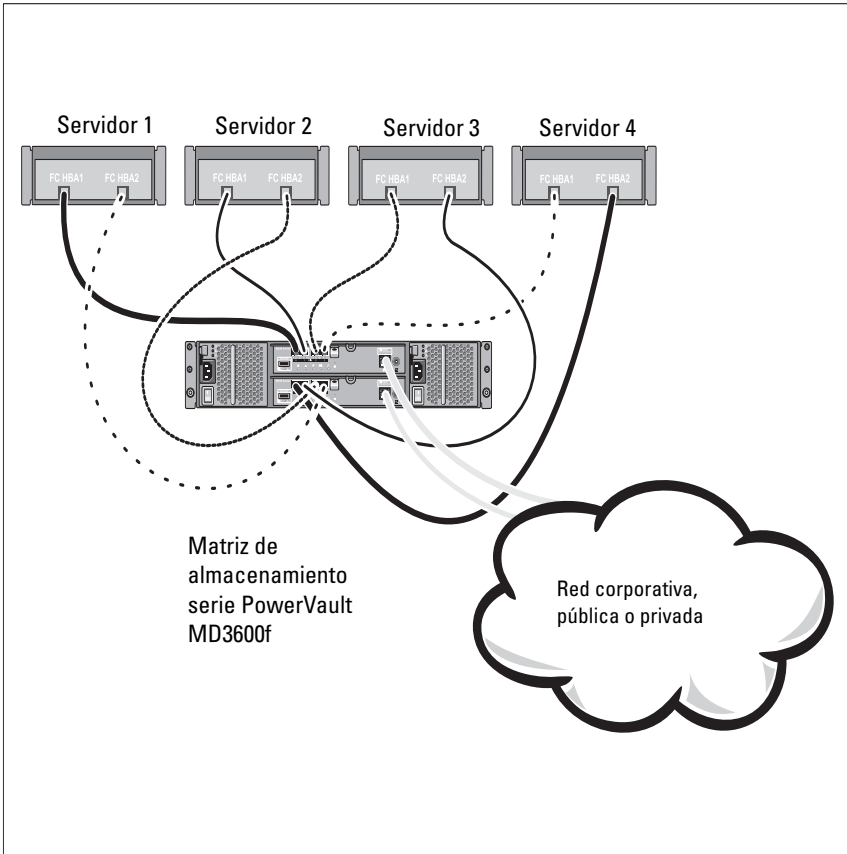
- Microsoft Windows Server
- Red Hat Enterprise Linux
- SUSE Linux Enterprise Server
- VMware



NOTA: para obtener la información más actual acerca de todas las versiones de sistemas operativos compatibles, consulte la *Support Matrix* (Matriz de soporte) en support.dell.com/manuals.

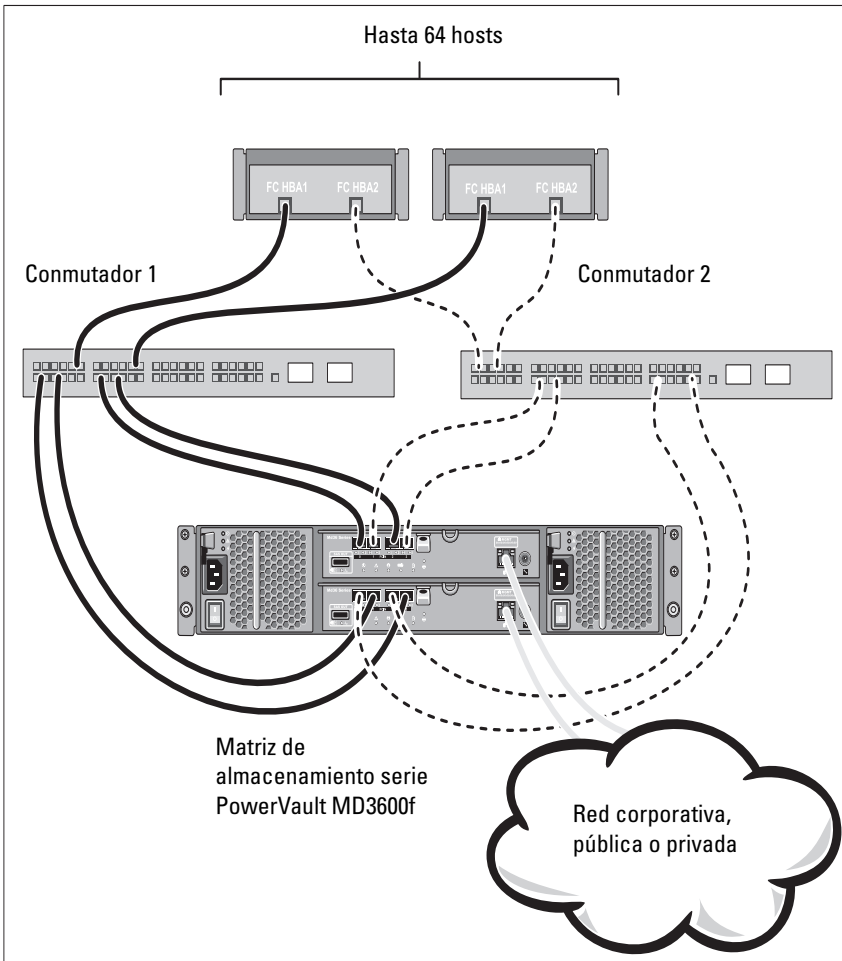
Configuraciones comunes

Cableado de los host de conexión directa



Cableado de los host de conexión SAN

La ilustración que se muestra a continuación representa un sistema redundante. Por ejemplo, un sistema utilizado en un entorno de replicación remoto.



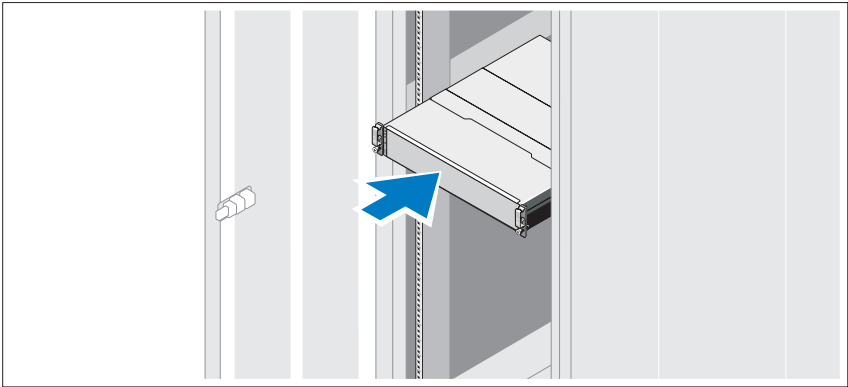
Instalación y configuración

 **AVISO:** antes de realizar el procedimiento siguiente, revise las instrucciones de seguridad incluidas con el sistema.


Desembalaje del sistema

Desembale el sistema e identifique cada elemento de la lista de embalaje que se envió con el sistema.

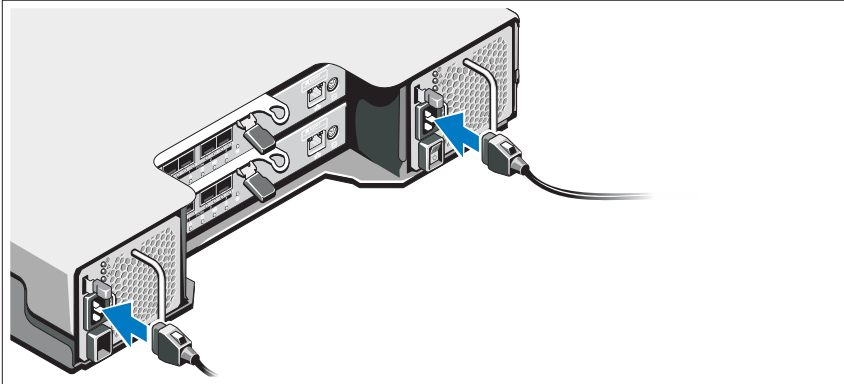
Instalación de los rieles y del sistema en un bastidor



Monte los rieles e instale el sistema en el bastidor siguiendo las instrucciones de seguridad y de instalación del bastidor incluidas con el sistema.

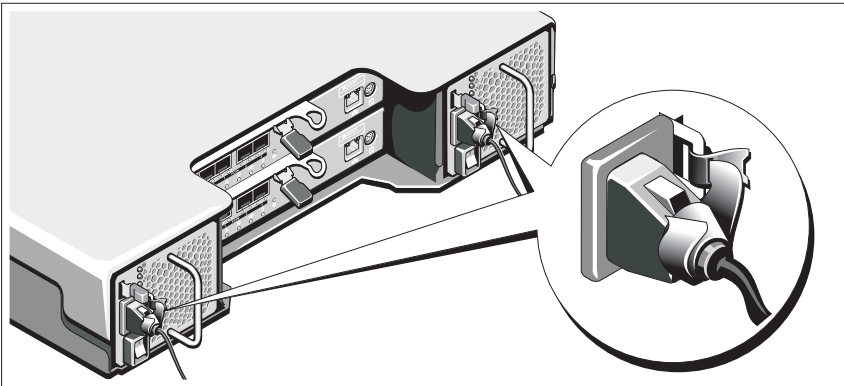
 **NOTA:** para equilibrar la carga del peso, se recomienda instalar la matriz de almacenamiento de la serie PowerVault MD3600f en la parte inferior del bastidor y los gabinetes de expansión PowerVault MD1200 encima de este.

Conexión de los cables de alimentación



Asegúrese de que el conmutador de alimentación esté en la posición de APAGADO antes de conectar los cables de alimentación. Conecte los cables de alimentación al sistema.

Fijación de los cables de alimentación



Fije los cables al soporte con firmeza con la cinta proporcionada.

Conecte el otro extremo de los cables de alimentación a una toma eléctrica con conexión a tierra o a otra fuente de alimentación, como por ejemplo un Sistema de alimentación ininterrumpida (SAI) o una Unidad de distribución de alimentación (PDU). Cada suministro de energía debe estar conectado a un circuito de alimentación diferente.

Instalación y extracción de módulos SFP

Para instalar módulos SFP:

- 1 Si todos los puertos de ENTRADA FC cuentan con un módulo SFP instalado, vaya al paso 5.
- 2 Saque el módulo SFP del paquete de protección estática.
- 3 Retire la tapa protectora del módulo SFP y del puerto SFP. Guarde las tapas protectoras para posteriores usos.
- 4 Introduzca el módulo SFP en el puerto host hasta que se oiga un clic.
- 5 Conecte un cable FC. Ver “Instalación y extracción de cables Fibre Channel” en la página 72.

Para extraer módulos SFP:

- 1 Quite el cable FC del módulo SFP. Ver “Instalación y extracción de cables Fibre Channel” en la página 72.



NOTA: para evitar dañar el cable o el módulo SFP, desconecte el cable FC antes de extraer el módulo SFP.

- 2 Desbloquee el seguro del módulo SFP. Para los módulos SFP que contengan lengüetas de conexión, desbloquee el seguro del módulo SFP tirando del seguro del cable hacia fuera 90°.
- 3 Con el módulo SFP en la posición de desbloqueo, extraiga el módulo SFP. Para los módulos SFP que contengan lengüetas de conexión, agarre el seguro del cable y tire del módulo SFP hasta sacarlo del puerto.
- 4 Vuelva a colocar la tapa protectora en el módulo SFP y el puerto host.
- 5 Coloque el módulo SFP en un paquete para protección estática.

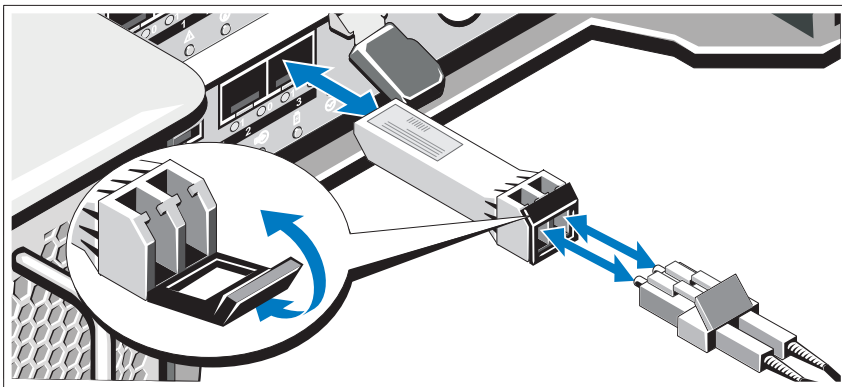
Instalación y extracción de cables Fibre Channel

⚠ AVISO: los entornos de procesamiento de datos pueden contener equipos que transmiten en enlaces de sistema con módulos láser que operan a niveles de alimentación superiores a los de la Clase 1. Nunca mire el extremo de un cable de fibra óptica o receptáculo abierto.

Antes de instalar un cable FC, ver “Pautas generales para el uso de cables de fibra óptica” en la página 64.

Para instalar un cable FC:

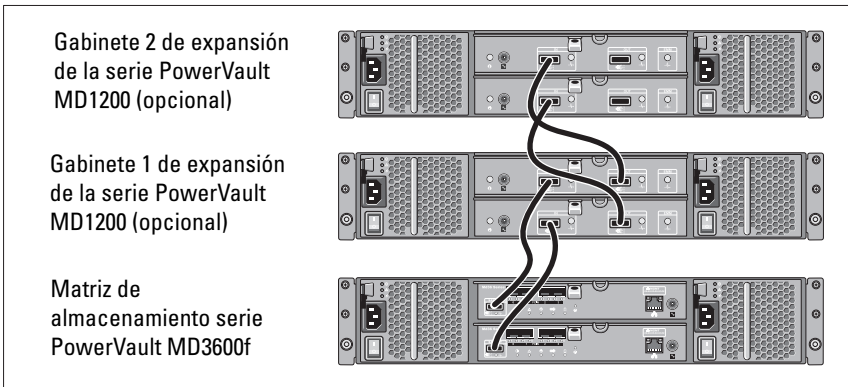
- 1 Si corresponde, retire la tapa protectora del módulo SFP y guárdela para utilizarla posteriormente.
- 2 Retire las dos tapas protectoras de un extremo del cable y guárdelas para utilizarlas posteriormente.
- 3 Introduzca el cable en un módulo SFP que esté instalado en la matriz de almacenamiento. El conector del cable cuenta con una llave para la correcta instalación. Mientras sujeta el conector, empuje el cable hasta que se oiga un clic.
- 4 Retire las dos tapas protectoras del otro extremo del cable y guárdelas para utilizarlas posteriormente.
- 5 Conecte este extremo del cable a uno de los siguientes dispositivos:
 - Un módulo SFP instalado en un puerto para conmutador FC
 - Un puerto HBA FC



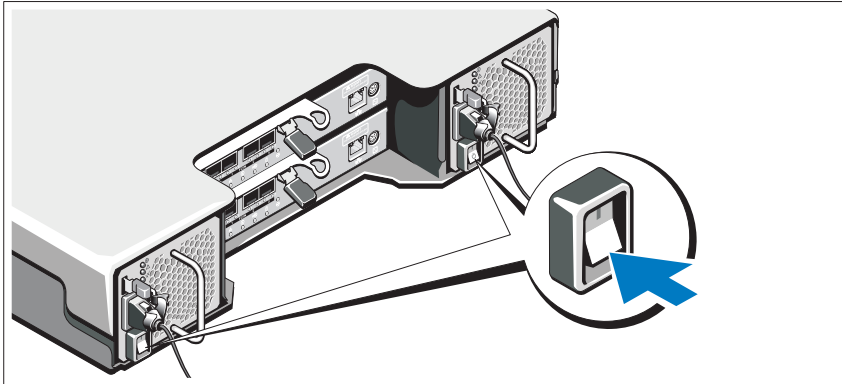
Para extraer un cable FC:

- 1 Presione y mantenga presionada la palanca para soltar los seguros antes de quitar el cable del módulo SFP. Asegúrese de que las palancas se encuentren en la posición abierta cuando se extraiga el cable. No agarre la lengüeta de plástico del módulo SFP cuando extraiga el cable.
- 2 En el extremo del cable que conecta al módulo SFP o HBA, presione y sujete la palanca para soltar los seguros.
- 3 Mientras presiona la palanca del cable, tire del conector para quitar el cable del módulo SFP.
- 4 Vuelva a colocar las tapas protectoras en los extremos del cable.
- 5 Vuelva a colocar la tapa protectora en el módulo SFP.

Cableado del gabinete de expansión



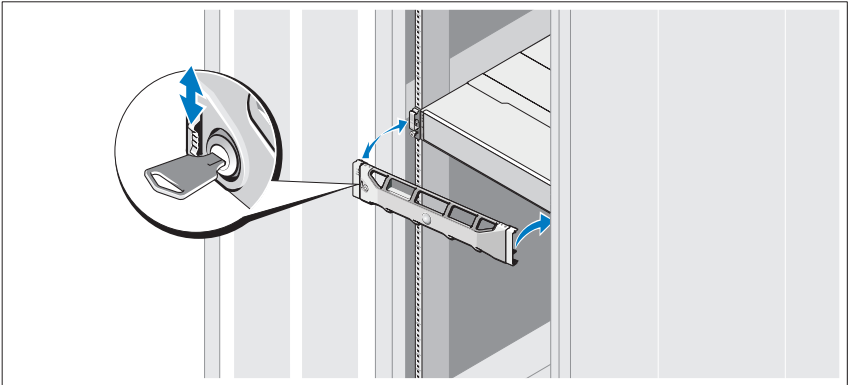
Encendido de la matriz de almacenamiento



Encienda los componentes en el orden siguiente:


- 1 Conmutadores FC (si se utilizan)
- 2 Los gabinetes de expansión de la serie MD1200 (si se utilizan)
 - **NOTA:** antes de encender la matriz de almacenamiento, asegúrese de que el LED de estado del gabinete de expansión está iluminado en azul.
- 3 Matriz de almacenamiento de la serie MD3600f
 - **NOTA:** antes de encender los servidores host, asegúrese de que el LED de estado de la matriz de almacenamiento está iluminado en azul.
- 4 Servidores host

Instalación del bisel



Instale el bisel (opcional).

Instalación de adaptadores HBA y controladores

 **NOTA:** asegúrese de leer el documento *Configuring Fibre Channel With the Dell MD3600f Series Storage Array* (Configuración de Fibre Channel con la matriz de almacenamiento de la serie Dell MD3600f) antes de continuar con este procedimiento. Para obtener instrucciones detalladas sobre la instalación del software MD Storage, la configuración del gabinete y las tareas posteriores a la instalación, consulte la *Guía de implementación*.

- 1 Instale los adaptadores HBA físicamente.
- 2 Conecte los cables.
- 3 Instale los controladores HBA y las revisiones/correcciones urgentes de HBA del sistema operativo.
- 4 Asegúrese de que se hayan aplicado los valores de configuración HBA recomendados.

Instalación del software MD Storage



NOTA: para obtener instrucciones detalladas sobre la instalación del software MD Storage, la configuración del gabinete y las tareas posteriores a la instalación, consulte la *Guía de implementación*.

La aplicación MD Storage Manager configura, administra y supervisa la matriz de almacenamiento. Para instalar el software MD Storage:


- 1 Inserte el soporte de recursos de la serie MD.

Dependiendo del sistema operativo, el instalador se puede iniciar automáticamente. Si el instalador no se inicia automáticamente, navegue al directorio raíz del soporte de instalación (o imagen del instalador descargado) y ejecute el archivo `md_launcher.exe`. Para sistemas basados en Linux, vaya a la raíz del soporte de recursos y ejecute el archivo `autorun`.



NOTA: de manera predeterminada, el sistema operativo Red Hat Enterprise Linux monta el soporte de recursos con la opción `-noexec mount`, la cual no permite ejecutar archivos ejecutables. Para cambiar esta configuración, vaya al archivo `Léame` en el directorio raíz del soporte de instalación.


- 2 Seleccione **Install MD Storage Software** (Instalar el software MD Storage).
- 3 Lea y acepte el contrato de licencia.
- 4 Seleccione una de las siguientes opciones de instalación del menú desplegable **Install Set** (Conjunto de instalación)
 - **Full (recommended)** (Total [recomendado]): instala el software MD Storage Manager (cliente), el agente de almacenamiento basado en host, el controlador multirruta y los proveedores de hardware.
 - **Host Only** (Solamente host): instala el agente de almacenamiento basado en host y los controladores multirruta.
 - **Management** (Administración): instala el software de administración y los proveedores de hardware.
 - **Personalizado**: permite seleccionar componentes específicos.
- 5 Seleccione los modelos de matrices de almacenamientos MD que está configurando para que sirvan como almacenamiento de datos para este servidor host.
- 6 Elija si desea iniciar el servicio de monitor de eventos automática o manualmente al reiniciar el servidor host

 **NOTA:** esta opción se aplica solo para la instalación del software cliente de Windows.

7 Confirme la ubicación de la instalación y haga clic en **Install** (Instalar).


8 Si se le solicita, reinicie el servidor host tras completar la instalación.

9 Inicie **MD Storage Manager** y detecte las matrices.

 **NOTA:** si en la red donde se conectan los puertos de administración de la matriz de almacenamiento MD no se utiliza el Protocolo de configuración dinámica de host (DHCP), se recomienda habilitar IPv6 en la estación de administración para detectar las matrices de almacenamiento.

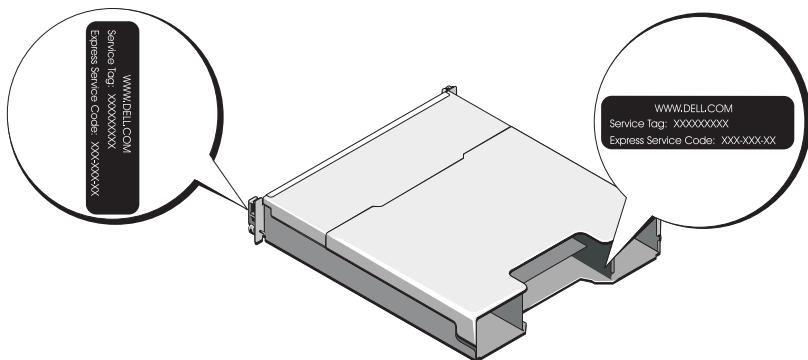
10 Configure el iniciador individual y las zonas de destino múltiples en los conmutadores Fibre Channel. Para obtener más información sobre el uso de zonas, consulte la *Guía de implementación*.

11 Si se aplica, active cualquiera de las funciones premium adquiridas con la matriz de almacenamiento. Si ha adquirido una función premium, consulte la tarjeta de activación impresa enviada con la matriz de almacenamiento.

 **NOTA:** el instalador de **MD Storage Manager** instala automáticamente los controladores, el firmware y las revisiones/correcciones urgentes del sistema operativo necesarios para que funcione la matriz de almacenamiento. Estos controladores y el firmware se encuentran disponibles en support.dell.com. Además, consulte la *Matriz de compatibilidad* en support.dell.com/manuals para obtener configuraciones adicionales o software necesarios para la matriz de almacenamiento específica.

Localización de la etiqueta de servicio

El sistema se identifica mediante un Código de servicio rápido y un número de Etiqueta de servicio únicos. El código de servicio rápido y la etiqueta de servicio se encuentran en la parte anterior del sistema y también en la parte posterior, junto a los módulos de la controladora RAID. Dell utiliza esta información para dirigir las llamadas de asistencia al personal correspondiente.



Información de la NOM (sólo para México)

La información que se proporciona a continuación aparece en el dispositivo descrito en este documento de conformidad con los requisitos de la Norma Oficial Mexicana (NOM):

Importador:	Dell Inc. de México, S.A. de C.V. Paseo de la Reforma 2620 -11º Piso Col. Lomas Altas 11950 México, D.F.
Número de modelo:	E03J y E04J
Voltaje de alimentación:	100-240 VCA
Frecuencia:	50 Hz/60 Hz
Consumo eléctrico:	8,6 A

Especificaciones técnicas

Unidades

PowerVault MD3600f	Hasta doce unidades de disco duro de intercambio directo SAS de 3,5 pulgadas (3,0 Gbps y 6,0 Gbps)
PowerVault MD3620f	Hasta veinticuatro unidades de disco duro de intercambio directo SAS de 2,5 pulgadas (3,0 Gbps y 6,0 Gbps)

Módulos de la controladora RAID

Módulos de la controladora RAID	<ul style="list-style-type: none">• Uno o dos módulos de intercambio directo con sensores de temperatura• 2 GB de caché por controladora
---------------------------------	---

Conectores del panel posterior (por módulo de la controladora RAID)

Conectores FC	Cuatro puertos de ENTRADA FC para conectar hosts
Conector SAS	Un puerto de SALIDA SAS para un gabinete PowerVault MD12xx adicional NOTA: el conector SAS es de conformidad con SFF-8088.
Conector serie	Un conector miniDIN de 6 patas NOTA: sólo para asistencia técnica.
Conector Ethernet de administración	Un puerto Ethernet 100/1000 Base-T para la administración fuera de banda del gabinete NOTA: las direcciones IP de puerto de administración predeterminadas para los módulos de la controladora RAID primarios y secundarios son 192.168.128.101 y 192.168.128.102, respectivamente. De manera predeterminada, los puertos de administración se configuran en DHCP. Si la controladora no es capaz de obtener una configuración de dirección IP de un servidor DHCP en un tiempo de espera determinado (aproximadamente 3 minutos), vuelve de manera predeterminada al direccionamiento IP estático. Para obtener más información, consulte la <i>Guía de implementación</i> .

Expansión

Serie PowerVault MD1200

Admite un máximo de 192 unidades de disco duro con cualquier combinación de gabinetes de expansión PowerVault MD1200 o PowerVault MD1220. El soporte para 192 unidades de disco duro es una función Premium y requiere activación. La cantidad máxima de discos duros admitidos sin utilizar la función Premium es 120.

La conectividad de la ruta de acceso redundante proporciona rutas de acceso redundantes a cada unidad de disco duro.

Tarjeta de plano posterior

Conectores

- 12 ó 24 conectores de unidad de disco duro SAS
- Dos conectores para módulos de suministro de energía/ventilador de enfriamiento
- Dos conjuntos de conectores del módulo de la controladora RAID
- Un conector del panel de control para LEDs anteriores y un botón de identificación del sistema

Sensores

Dos sensores de temperatura

Indicadores LED

Panel anterior

- Un indicador LED de dos colores para el estado del sistema
- Dos indicadores LED de un solo color para la alimentación y el modo gabinete

NOTA: el LED del modo gabinete no es aplicable a la matriz de almacenamiento de la serie PowerVault MD3600f.

Portaunidades de disco duro

- Un indicador LED de un solo color de actividad
- Un indicador LED de dos colores de estado por disco

Suministro de energía/ventilador de enfriamiento

Tres indicadores LED de estado para el estado del suministro de energía, los fallos del suministro de energía/ventilador y el estado de CA

Indicadores LED (continuación)

Módulo de la controladora RAID	<p>14 indicadores LED de un sólo color:</p> <ul style="list-style-type: none">• Uno de batería defectuosa• Uno de caché activa• Uno de controladora defectuosa• Uno de alimentación de controladora• Uno de identificación del sistema• Uno de actividad Ethernet de administración• Ocho enlaces FC o errores <p>2 indicadores LED de 2 colores:</p> <ul style="list-style-type: none">• Uno de fallo o enlace de salida de SAS• Uno de velocidad del enlace Ethernet de administración
--------------------------------	---

Conmutador

Botón de identificación del sistema	Ubicado en el panel de control anterior. Este botón se usa para ubicar un sistema en un bastidor.
Conmutador de modo gabinete	Situado en la parte anterior del sistema. Este conmutador no se aplica a la matriz de almacenamiento de la serie PowerVault MD3600f.
Conmutador de restablecimiento de contraseña	Situado en el panel posterior del módulo de controladora RAID. Este conmutador se utiliza para restablecer la contraseña de la matriz de almacenamiento.

Suministros de energía

Fuente de alimentación de CA (por fuente de alimentación)

Potencia	600 W
Voltaje	100–240 VCA (8,6 A–4,3 A)
Disipación de calor	100 W
Corriente de irrupción máxima	En condiciones normales de línea y en todo el rango de funcionamiento ambiente del sistema, la irrupción de corriente puede alcanzar un máximo de 55 A por cada suministro de energía durante 10 ms o menos.

Alimentación de la unidad de disco duro disponible (por ranura)

PowerVault MD3600f	25 W
PowerVault MD3620f	12 W

Alimentación del módulo de la controladora RAID (por ranura)

Consumo de energía máximo	100 W
---------------------------	-------

Características físicas

PowerVault MD3600f

Altura	8,68 cm (3,41 pulgadas)
Anchura	44,63 cm (17,57 pulgadas)
Profundidad	60,20 cm (23,70 pulgadas)
Peso (configuración máxima)	29,30 kg (64,6 libras)
Peso (vacío)	8,84 kg (19,5 libras)

PowerVault MD3620f

Altura	8,68 cm (3,41 pulgadas)
Anchura	44,63 cm (17,57 pulgadas)
Profundidad	54,90 cm (21,61 pulgadas)
Peso (configuración máxima)	24,22 kg (53,4 libras)
Peso (vacío)	8,61 kg (19 libras)

Especificaciones medioambientales

NOTA: Para obtener información adicional acerca de medidas ambientales relativas a configuraciones del sistema específicas, vaya a www.dell.com/environmental_datasheets.

Temperatura

En funcionamiento De 10 °C a 35 °C (de 50 °F a 95 °F) con una gradación de temperatura máxima de 10 °C por hora

NOTA: Para altitudes superiores a 900 m (2950 pies), la temperatura máxima de funcionamiento se reduce 1 °C/334 m (1 °F/550 pies).

Almacenamiento De -40 °C a 65 °C (de -40 °F a 149 °F) con una gradación de temperatura máxima de 20 °C por hora

Humedad relativa

En funcionamiento Del 20% al 80% (sin condensación) con una gradación de humedad máxima del 10% por hora

Almacenamiento Del 5% al 95% (sin condensación)

Vibración máxima

En funcionamiento De 0,25 G a 3-200 Hz durante 15 minutos

Almacenamiento De 0,5 G a 3-200 Hz durante 15 minutos

Impacto máximo

En funcionamiento Un impulso de descarga en el sentido positivo del eje z (un impulso en cada lado del sistema) de 31 G durante 2,6 ms en la orientación de funcionamiento

Almacenamiento Seis impulsos de descarga ejecutados consecutivamente en los ejes positivos y negativos x, y y z (un impulso en cada lado del sistema) de 71 G durante un máximo de 2 ms

Altitud

En funcionamiento De -16 m a 3.048 m (de -50 pies a 10.000 pies)

NOTA: para altitudes superiores a 900 m (2950 pies), la temperatura máxima de funcionamiento se reduce 1 °C/334 m (1 °F/550 pies).

Almacenamiento De -16 m a 10.600 m (de -50 a 35.000 pies)

Nivel de contaminación atmosférica

Clase G1 de acuerdo con ISA-S71.04-1985

Printed in Brazil.
Imprimé au Brésil.
Impresso no Brasil.
Impreso en Brasil.

www.dell.com | support.dell.com



01K67MA02



Printed in the U.S.A.
Imprimé aux U.S.A.
Impresso nos EUA.
Impreso en los EE.UU.

www.dell.com | support.dell.com



01K67MA02